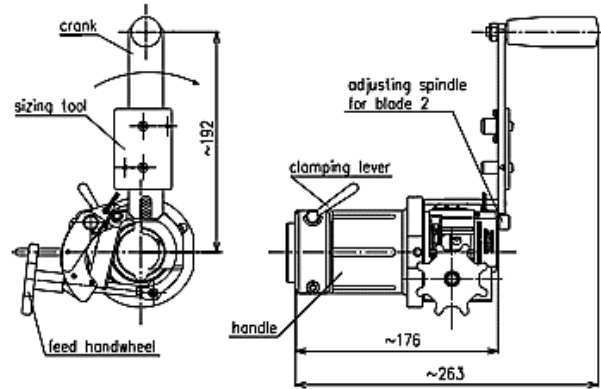


## DATASHEET

Spinner Multi-Fit LL Cable Cutting Flaring Tool 1 1/4" Feeder

PART NO: 8515208ML



## SPECIFICATIONS

Cable Type	LF 1 1/4", 1 5/8" / Radiating 1 1/4", 1 5/8"
Connector Type	MultiFit™; CAF®; Topspin®; Connectors for Radiating Cables
Upper and Lower Part	Aluminium Alloy
Blades	Steel Age Hardened
Springs and Pins	Stainless Steel
Clamping Device and Collet Halves	POM
Cable Compatibility	All commercially available annularly corrugated foam cables and smooth wall cables
Weight	Approx. 1.7 kg

## PACKAGING

Each: Net Weight – 1.7Kg

Poly Bag: 50 pcs - G.W. 0.085kg

Box: 500 Pcs – 0.85 G.W. kg

## WARRANTY

12 months (Please refer to [Benelec Terms & Conditions](#))