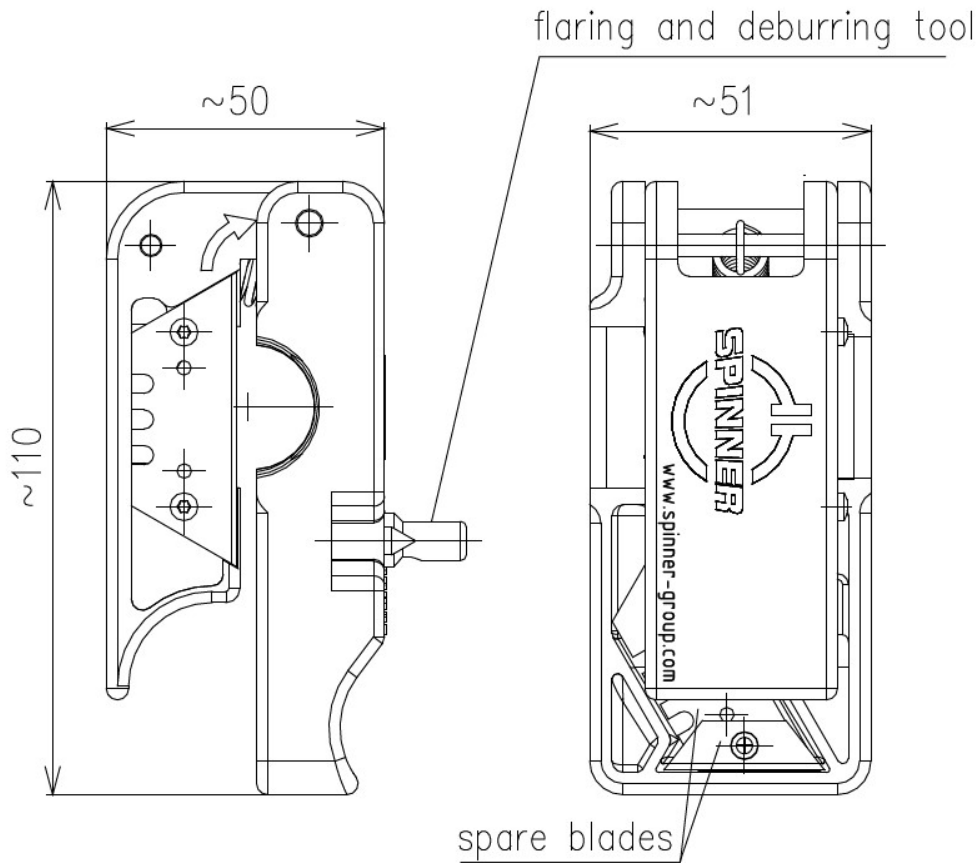


## DATASHEET

PART NO: 8515207ML

### Trimming Tool For LF 7/8"-50



#### ELECTRICAL SPECIFICATIONS

Cable type	LF 7/8"-50
Connector Type	MultiFit™
Material	
Upper and lower part	polycarbonate with 20% GF
Blades	steel age hardened
Springs and pins	stainless steel
Colour	red (similar RAL 3000)
Installation instructions	M32111
Weight	approx. 0.23 kg
Included in delivery	spare blades, installation instructions

#### CABLE COMPATIBILITY

Spinner	SPINNERFlex™ LF7/8"-50
Acome	HPL50-7/8 ALU, HPL50-7/8 F, HPL50-7/8 LA
Andrew	AL5-50, AVA5-50, VXL5-50
Draka	RFA 7/8"-50, RFA 7/8"-50 AL, RFE 7/8"-50
Eupen	EA5-50 Aluminum, EC5-50-A, EC5-50-HF
Hansen	RF 50 7/8", RF50 7/8"S
Hengxin	HCTAY-50-22
Leoni	FlexLine 7/8" R Low Loss
LS Cables	LHF 22D, HFC 22D, HFSC 22D
RFS	LCF 78-50 A, LCF 78-50 L, UCF 78-50 A, UCF 78-50 L