

DATASHEET

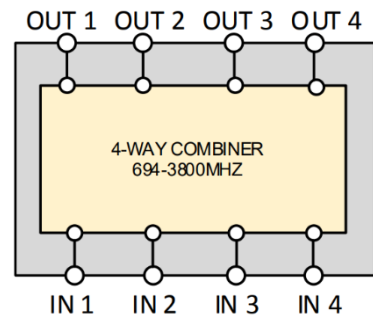
5G 4:4 Port Hybrid Combiner

4.3-10 Socket

SKU: 17834S



Block Diagram

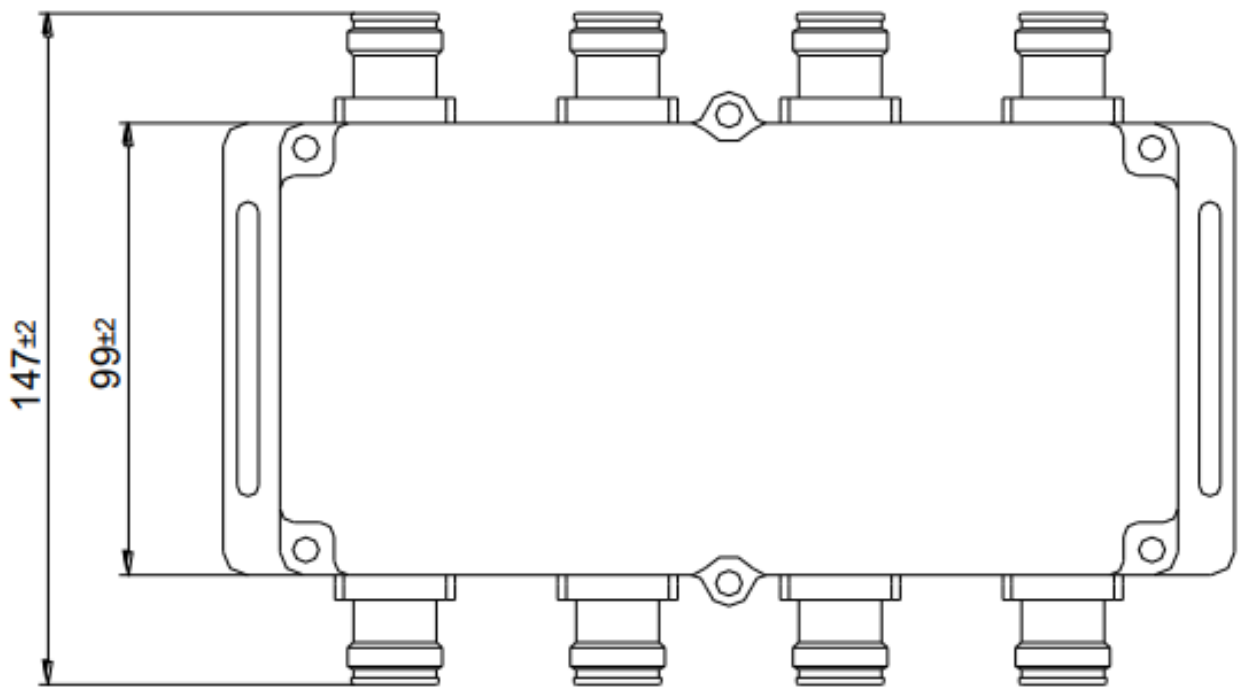
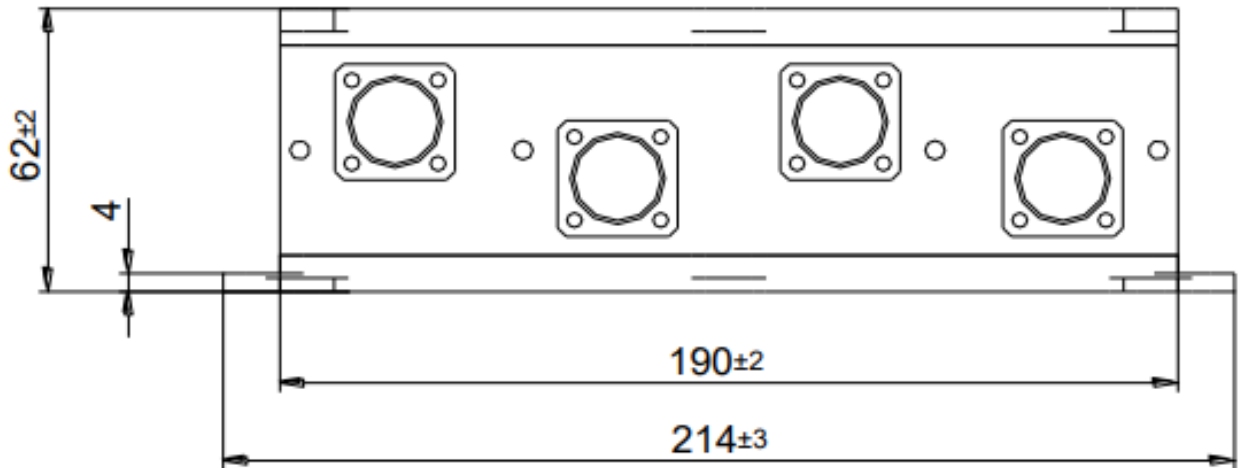


SPECIFICATIONS

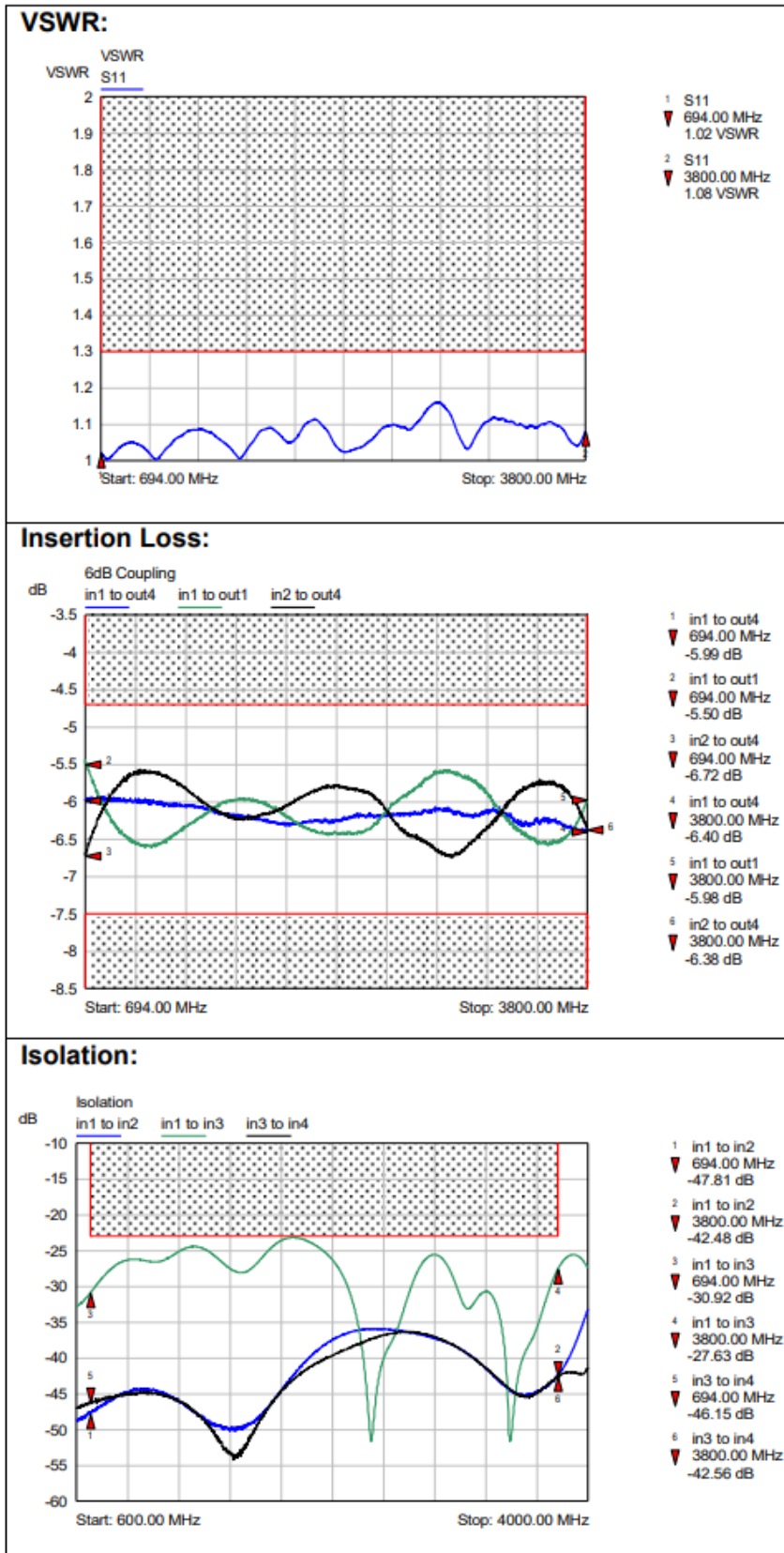
Connectors	4.3-10 Female	
	Port 1 – 4	Inputs
	Port 5 – 8	Outputs
Frequency Range	694 – 3800 MHz	
Insertion Loss (including nominal 6 dB splitting losses) 694 – 3800 MHz	≤ 6.1 ± 1.4 dB	
Isolation	≥ 23 dB	
VSWR	≤ 1.3	
Max. input power per port	400 W	
IM – Value 3 rd Order at 2 x 20 W	≤ -155 dBc	
DC-by-pass	DC path IN1 → OUT4, IN2 → OUT2 DC path IN3 → OUT3, IN4 → OUT1 (max. 6.5 A AISG 2.0 conform)	
Degree of Protection	IP 65	
Environmental Conditions	ETSI EN 300019-1-1 Class 1.2 ETSI EN 300019-1-2 Class 2.3 ETSI EN 300019-1-4 Class 4.1E	
Weight	2.1 kg	
Paint Colour	Gray	
Wall Mounting	Included	
Operating Temperature	-40°C - +65°C	
Dimensions (L x W x H)	190 mm x 147 mm x 62 mm	

Website: benelec.au

DIMENSIONS



MEASUREMENTS



— typical for: in1 ... in4

— typical for: in1 ↔ out4, in3 ↔ out3,
in2 ↔ out2, in4 ↔ out1

— typical for: in4 ↔ out4, in2 ↔ out3,
in3 ↔ out2, in1 ↔ out1

— typical for: in2 ↔ out4, in1 ↔ out3,
in4 ↔ out3, in1 ↔ out2,
in4 ↔ out2, in2 ↔ out1,
in3 ↔ out1

— typical for: in1 ↔ in3, in2 ↔ in4

— typical for: in1 ↔ in2, in3 ↔ in4

— typical for: in2 ↔ in3, in4 ↔ in1