

DATASHEET

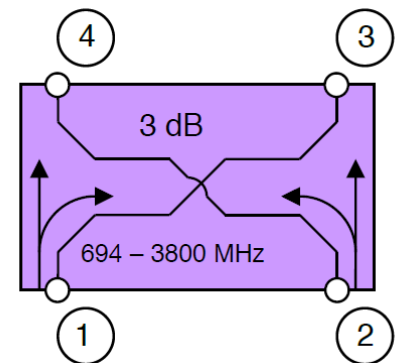
4G 2:2 PORT HYBRID COMBINER Ns

-155 dBc, 25 dB ISOLATION, SPINNER BN923070

PART NO: 17832S

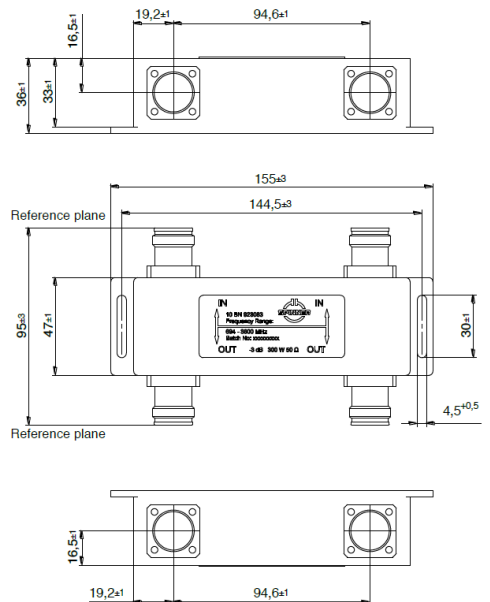


Block Diagram



SPECIFICATIONS

Connectors	4.3-10 female (50 Ω)
Frequency Range	694 – 3800 MHz
Insertion Loss	≤ 3.6 dB
Isolation	≥ 25 dB
VSWR	≤ 1.25
Power Rating	300 W per port
IM – Value 3 rd Order at 2 x 20 W	≤ -155 dBc
Special Feature	DC path Port 1 → Port 3 and Port 2 → Port 4 (max. 6.5 A AISG conform)
Degree of Protection	IP 65 (Outdoor)
Environmental Conditions	ETSI EN 300019-1-1 Class 1.2 ETSI EN 300019-1-2 Class 2.3 ETSI EN 300019-1-4 Class 4.1E
Weight	0.8 kg
Dimensions (W x H x D)	95 mm x 155 mm x 36 mm
Wall / Mast Mounting	Integrated
Temperature Range	-40 to +65 °C



WARRANTY

12 months (Please refer to [Benelec Terms & Conditions](#))