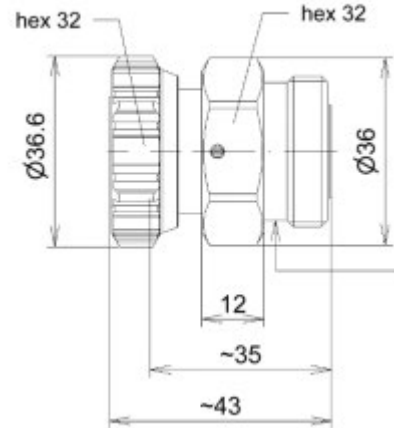


DATASHEET

IM3 890.3MHz -120dBm 7-16 male to female

PART NO: **177506S**



The 177506S is a passive intermodulation standard connector. This connector has a silver-plated inner and CuSnZn - plated outer conductor.

FEATURES

- Silver Plated Inner Conductor
- CuSnZn Plated Outer Conductor
- PTFE Insulator
- 50 Ohm
- Reliable, Robust & Durable

ELECTRICAL SPECIFICATIONS

Frequency Range	DC to 4 GHz
Impedance	50 Ω
VSWR, max.	1.03 @ DC to 1 GHz 1.08 @ 1 to 2 GHz 1.12 @ 2 to 3 GHz 1.16 @ 3 to 4 GHz
Intermodulation (IM 3) @ 2 x 20 W	-120 dBm f(IM3): 890.3 MHz
Frequency Band	f1: 925.1 MHz f2: 959.9 MHz

MATERIALS & PLATING

	Description	Material	Surface Plating
1	Inner Conductor	Copper - Alloy	Silver
2	Outer Conductor	Copper- Alloy	CuSnZn
3	Insulator	PTFE	N/A

PACKAGING

Each: Net Weight - 130g
Poly Bag: 50 pcs - G.W. 6.5kg
Box: 500 Pcs - G.W. 65kg

WARRANTY

12 months (Please refer to [Benelec Terms & Conditions](#))