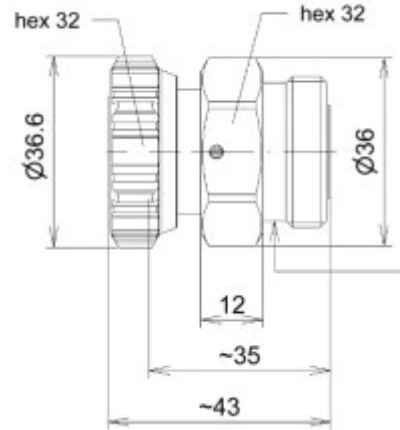


## DATASHEET

SKU: 177505S

### IM3 890.3MHz -110dBm 7-16

### Male to Female Connector



The 177505S is a passive intermodulation standard connector. This connector has a silver-plated inner and CuSnZn - plated outer conductor.

#### FEATURES

- Silver Plated Inner Conductor
- CuSnZn Plated Outer Conductor
- PTFE Insulator
- 50 Ohm
- Reliable, Robust & Durable

#### ELECTRICAL SPECIFICATIONS

Frequency Range	DC to 4 GHz
Impedance	50 $\Omega$
VSWR, max.	1.03 @ DC to 1 GHz 1.08 @ 1 to 2 GHz 1.12 @ 2 to 3 GHz 1.16 @ 3 to 4 GHz
Intermodulation (IM 3) @ 2 x 20 W	-110 dBm f(IM3): 890.3 MHz
Frequency Band	f1: 925.1 MHz f2: 959.9 MHz

#### MATERIALS & PLATING

	Description	Material	Surface Plating
1	Inner Conductor	Copper - Alloy	Silver
2	Outer Conductor	Copper- Alloy	CuSnZn
3	Insulator	PTFE	N/A

#### PACKAGING

Each: Net Weight - 130g  
Poly Bag: 50 pcs - G.W. 6.5kg  
Box: 500 Pcs - G.W. 65kg

#### WARRANTY

12 months (Please refer to [Benelec Terms & Conditions](#))