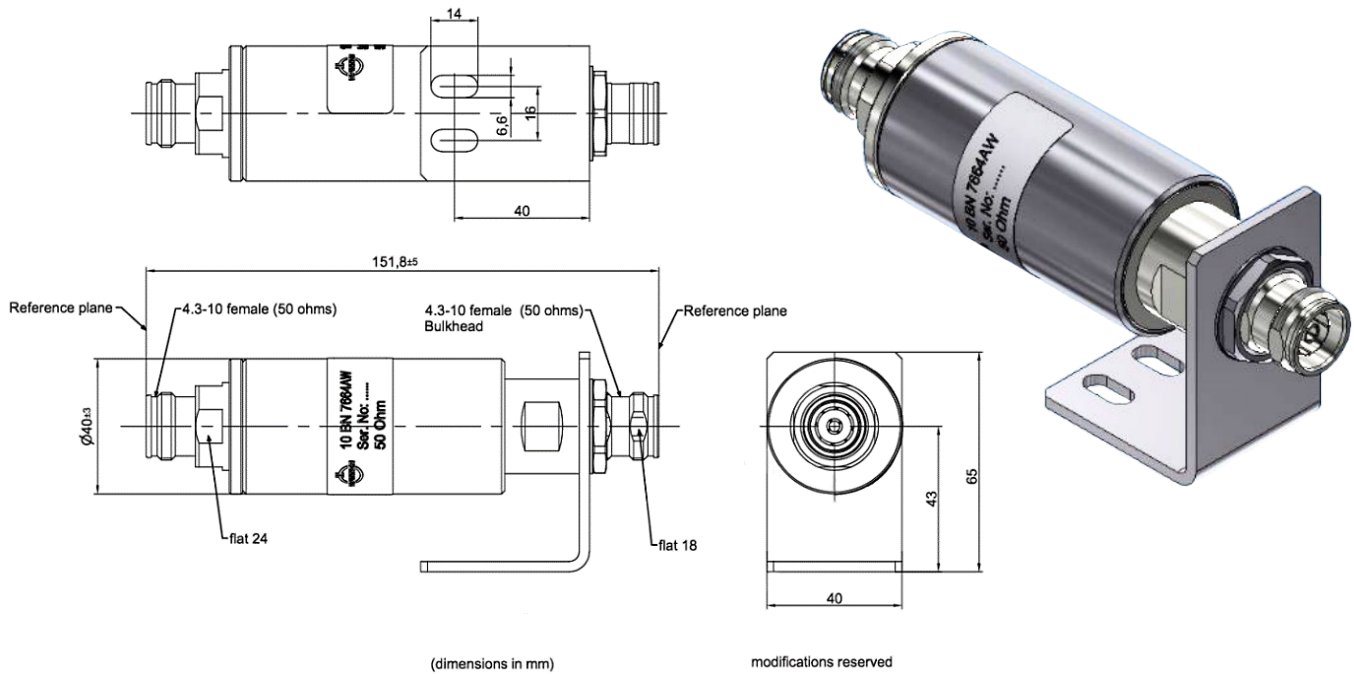


## DATASHEET

### EMP Protector UHF 4.3-10 Socket

PART NO: 176127



## SPECIFICATIONS

Interface Type	4.3-10 socket (50Ω) per IEC 61169-64
VSWR, Max.	≤1.20
Frequency Range	360 -520 MHz
Insertion Loss, Max	≤ 0.1dB
Power Capacity, Max	800 W
Passive intermodulation (IM3) @ 2 x 20 W	≤ -160 dBc @ 400 MHz
Allowed Surge Current	50 kA multiple (test pulse 8/20 μs)
Residual Pulse Energy	20μJ (test pulse 4 kV 1.2/50 μs and 2 kA 8/20 μs)
Inner Conductor Material / Surface Finish	Copper Alloy / Silver Plated
Outer Conductor Material / Surface Finish	Copper Alloy / Silver Plated
Other Metal Parts / Surface Finish	Copper Alloy / Bright Nickle Plated
Insulation	PTFE
Sealing	Silicon Rubber
IP Protection Level	IP 67 Per EN 60529 (in mated condition)
Weight (approx.)	800 g
Operating Temperature Range	-45 °C ~ +75 °C