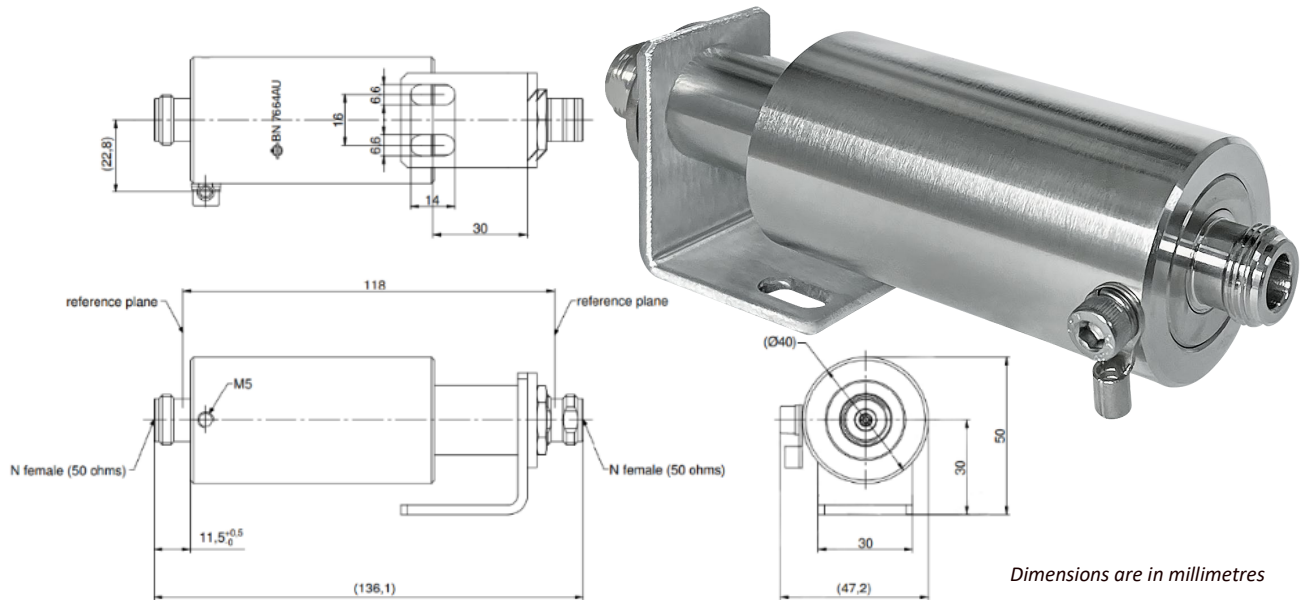


DATASHEET

UHF EMP Protector N Socket

SKU: 176124



SPECIFICATIONS

Interface Type	N Socket (50 Ω) per IEC 61169-16
VSWR, Max.	1.20 @ 360 to 520MHz
Frequency Range	360 – 520 MHz
Insertion Loss, Max	0.1 dB
Power Capacity, Max	800 W
Passive intermodulation (IM3) @ 2 x 20 W	≤ -160 dBc @ 400 MHz
Allowed Surge Current	50 kA multiple (test pulse 8/20 μs)
Residual Pulse Energy	20 μJ (test pulse 4 kV 1.2/50 μs and 2 kA 8/20 μs)
Inner Conductor Material / Surface Finish	Copper Alloy / Silver Plated
Outer Conductor Material / Surface Finishes	Copper Alloy / Silver Plated
Other Metal Parts / Surface Finish	Copper Alloy / Bright Nickel Plated
Insulation	PTFE
Sealing	Silicone Rubber
IP Protection Level	IP67 per EN 60529 (in mated condition)
Weight (approx.)	591 g
Operating Temperature Range	- 45 °C to +75 °C

Website: benelec.au