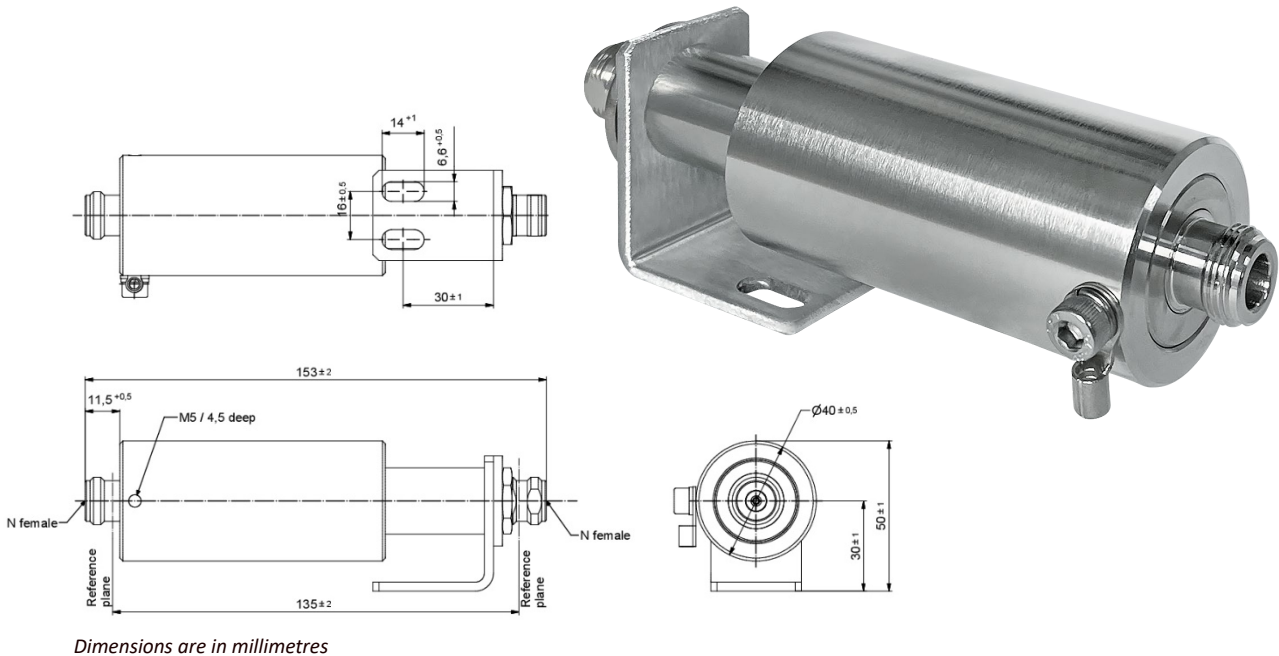


DATASHEET

VHF EMP Protector N Socket

SKU: 176121



SPECIFICATIONS

Interface Type	N socket (50 Ω) per IEC 61169-16 (equipment port) N socket (50 Ω) per IEC 61169-16 , bulkhead, (antenna port)
VSWR, Max.	1.20 @ 148 - 174 MHz 1.25 @ 136 - 148 MHz
Frequency Range	136 - 174 MHz
Insertion Loss, Max	0.1 dB
Power Capacity, Max	1000 W
Passive intermodulation (IM3) @ 2 x 20 W	≤ -160 dBc @ 400 MHz
Allowed Surge Current	50 kA multiple (test pulse 8/20 μs)
Residual Pulse Energy	20 μJ (test pulse 4 kV 1.2/50 μs and 2 kA 8/20 μs)
Inner Conductor Material / Surface Finish	Copper Alloy / Silver Plated
Outer Conductor Material / Surface Finish	Copper Alloy / CuSnZn plated
Other Metal Parts / Surface Finish	Copper Alloy / Bright Nickel Plated Stainless Steel / No Finish
Insulation	PTFE
Sealing	Silicone Rubber
IP Protection Level	IP67 per EN 60529 (in mated condition)
Weight (approx.)	610 g
Operating Temperature Range	-45 °C ~ +75 °C

Website: benelec.au