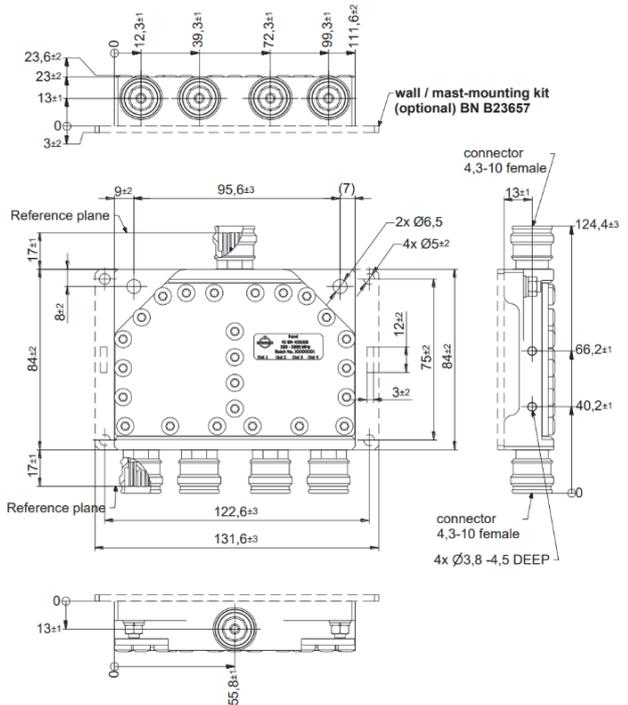


DATASHEET

5G SPLITTER 4 WAY 4.3-10s

-160 dBc, SPINNER BN433008 w/ BRACKET B23657



ELECTRICAL SPECIFICATIONS

Splitting Ratio	1 : 0.25 : 0.25 : 0.25 : 0.25
Frequency Range	380 – 3800 MHz
Insertion Loss	6.2 dB ± 0.4 dB (including splitting losses) @ 380 – 2700 MHz
	6.3 dB ± 0.4 dB (including splitting losses) @ 2700 – 3800 MHz
VSWR	≤ 1.3 (Port 1) @ 380 – 3700 MHz
	≤ 1.4 (Port 1) @ 2700 – 3800 MHz
Power Rating	≤ 200 W @ 380 – 3800 MHz
DC-by-pass	DC all ports (max. 1A per input max. 60 V DC (AISG Standard, 2.0, § 6.4))
Passive Intermodulation (IM3), 3 rd Order @ 2 x 20 W	-160 dBc max. / -165 dBc typ.
Impedance	50 Ω

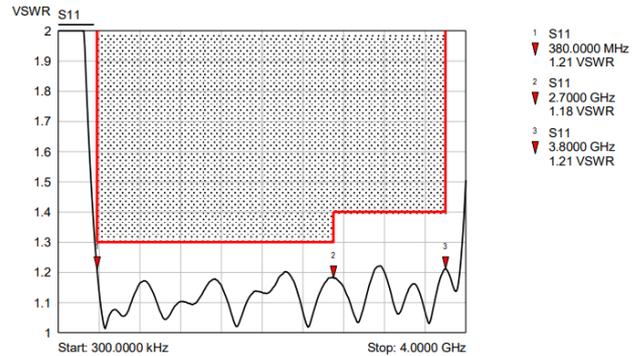
MECHANICAL SPECIFICATIONS

Connectors	4.3-10 Female
Dimensions (approx.) (W x H x D) (Without Mounting Kit)	114 mm x 125 mm x 24 mm
Weight (approx.)	0.5 kg
Colour	Light Grey Polyurea (RAL 7047)
Wall / Mast Mounting	Included

ENVIRONMENTAL SPECIFICATIONS

Class of Environmental Conditions	ETSI EN 300019-1-1 Class 1.2
	ETSI EN 300019-1-2 Class 2.3
	ETSI EN 300019-1-4 Class 4.1E
Degree of Protection	IP 65
Operation Ambient Temperature Range	-25 °C to +55 °C
Storage Ambient Temperature Range	-40 °C to +85 °C
Relative Humidity, max.	95 % (non-condensing)

VSWR



INSERTION LOSS

