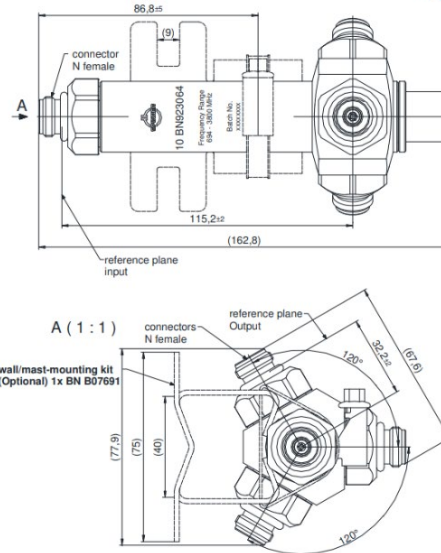
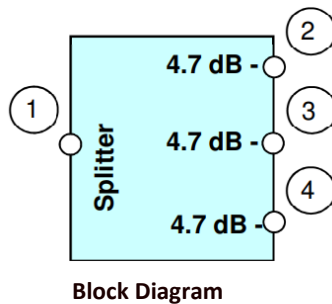


DATASHEET

5G SPLITTER 3 WAY Ns

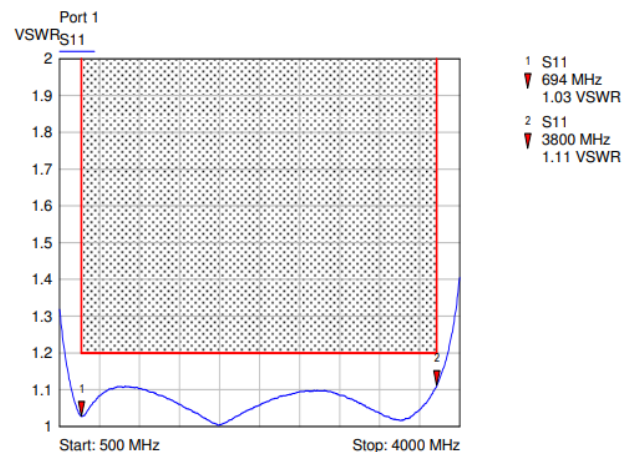
-160 dBc, SPINNER BN923064



SPECIFICATIONS

Splitting Ratio	1 : 0.33 : 0.33 : 0.33	
Connectors	N Female	
Frequency Range	694 – 3800 MHz	
	Port 1	Input
	Port 2, 3, 4	Output
Output Difference	≤ 0.3 dB	
Insertion Loss	≤ 5.0 dB	
Impedance	50 Ω	
VSWR	≤ 1.2 (Port 1)	
Phase Difference	≤ 3 °	
Power Rating	250 W CW	
Intermodulation Products 3 rd Order @ 2 x 20 W	≤ -160 dBc typical ≤ -165 dBc	
Degree of Protection Mated / 1 bar, 1 h, ≤ 18 °C	IP 68	
Class of Environmental Conditions	ETSI EN 300019-1-1 Class 1.2 ETSI EN 300019-1-2 Class 2.3 ETSI EN 300019-1-4 Class 4.1E	
Operating Temperature	-40 °C to +85 °C	
Wall/Mast Mounting	To be ordered separately	
Weight	0.49 kg	
Dimensions (WxHxD)	77.9 mm x 162.8 mm x 77.9 mm	

VSWR



INSERTION LOSS

