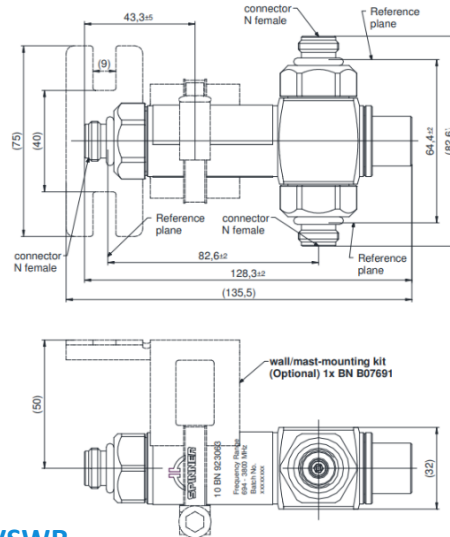
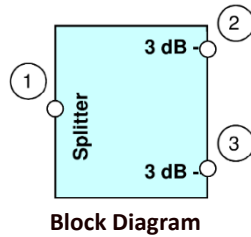


DATASHEET

5G SPLITTER 2 WAY Ns

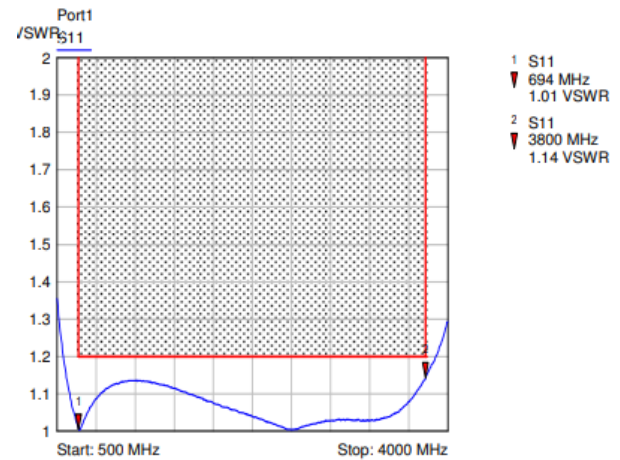
-160 dBc, SPINNER BN923063



SPECIFICATIONS

Splitting Ratio	1 : 0.5 : 0.5	
Connectors	N Female	
Frequency Range	694 – 3800 MHz	
	Port 1	Input
	Port 2, 3	Output
Output Difference	≤ 0.3 dB	
Insertion Loss	≤ 3.2 dB	
Impedance	50 Ω	
VSWR	≤ 1.2 (Port 1)	
Phase Difference	≤ 2.5 °	
Power Rating	250 W CW	
Intermodulation Products 3 rd Order @ 2 x 20 W	≤ -160 dBc typical ≤ -154 dBc	
Degree of Protection Mated / 1 bar, 1 h, ≤ 18 °C	IP 68	
Class of Environmental Conditions	ETSI EN 300019-1-1 Class 1.2 ETSI EN 300019-1-2 Class 2.3 ETSI EN 300019-1-4 Class 4.1E	
Operating Temperature	-40 °C to +85 °C	
Wall/Mast Mounting	To be ordered separately	
Weight	0.35 kg	
Dimensions (WxHxD)	82.6 mm x 128.3 mm x 32 mm	

VSWR



INSERTION LOSS

