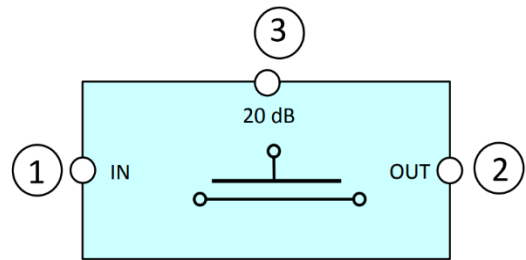
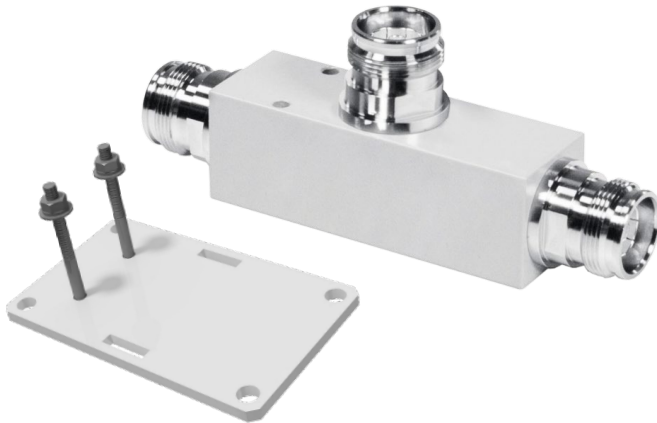


## DATASHEET

### 5G DIRECTIONAL COUPLER / TAPPER 4.3-10s

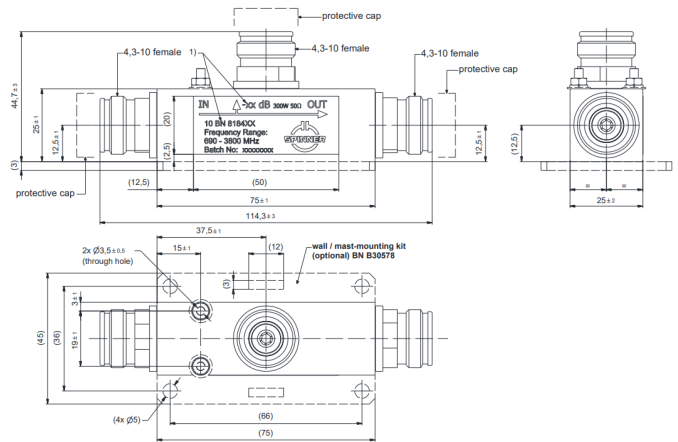
15.1 dB, -153 dBc, SPINNER BN818456 w/ BRACKET B30578



Block Diagram

## ELECTRICAL SPECIFICATIONS

Splitting Ratio	1 : 0.03 : 0.97
Frequency Range	690 – 2170 MHz 2300 – 3800 MHz
Insertion Loss	≤ 0.3 dB
Coupling	15 dB – 1.1/1.3
VSWR	≤ 1.3
Impedance	50 Ω
Power Rating	Average Power 300 W (CW)
Intermodulation Products in RX Band with 2 x 42 dBm (20W)	≤ -153 dBc



## MECHANICAL SPECIFICATIONS

Connectors	4.3-10 Female
Dimensions (approx.) (W x H x D) (Without Mounting Kit)	25 mm x 45 mm x 115 mm
Weight (approx.)	0.22 kg
Colour	Gray
Wall / Mast Mounting	Included

## ENVIRONMENTAL SPECIFICATIONS

Class of Environmental Conditions	ETSI EN 300019-1-1 Class 1.2 ETSI EN 300019-1-2 Class 2.3 ETSI EN 300019-1-4 Class 4.1E
Degree of Protection	IP 65 (Outdoor)
Operation Ambient Temperature Range	-30 °C to +75 °C
Storage Ambient Temperature Range	-40 °C to +80 °C
Relative Humidity, max.	95 % (non-condensing)