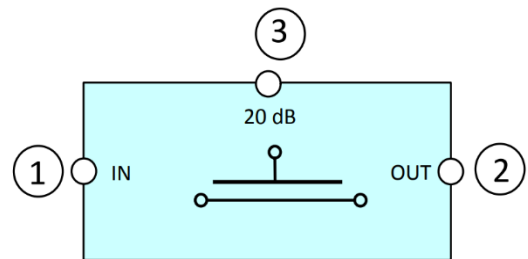
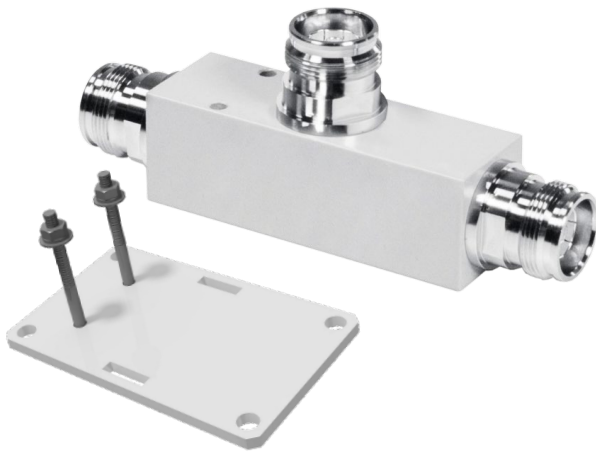


DATASHEET

5G Directional Coupler/Tapper

10.4dB 4.3-10s

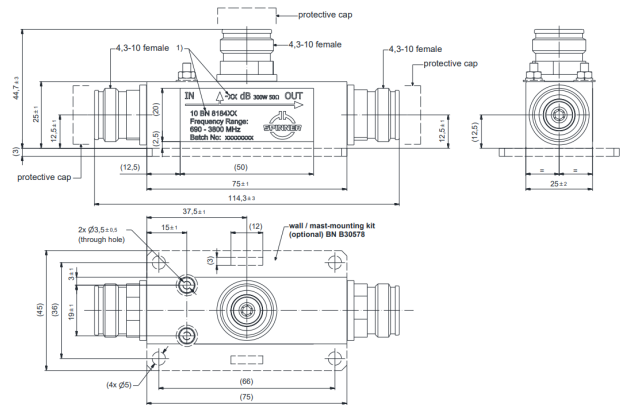
SKU: 174314S



Block Diagram

ELECTRICAL SPECIFICATIONS

| | |
|---|-----------------------------------|
| Splitting Ratio | 1 : 0.1 : 0.9 |
| Frequency Range | 690 – 2170 MHz 2300 – 3800 MHz |
| Insertion Loss | ≤ 0.6 dB |
| Coupling | 10 dB - 0.8/1.6 |
| VSWR | ≤ 1.3 |
| Impedance | 50 Ω |
| Power Rating | Average Power 300 W (CW) |
| Intermodulation Products in RX Band with 2 x 42 dBm (20W) | ≤ -153 dBc |



MECHANICAL SPECIFICATIONS

| | |
|---|------------------------|
| Connectors | 4.3-10 Female |
| Dimensions (approx.) (W x H x D) (Without Mounting Kit) | 25 mm x 45 mm x 115 mm |
| Weight (approx.) | 0.22 kg |
| Colour | Gray |
| Wall / Mast Mounting | Included |

ENVIRONMENTAL SPECIFICATIONS

| | |
|-------------------------------------|---|
| Class of Environmental Conditions | ETSI EN 300019-1-1 Class 1.2 ETSI EN 300019-1-2 Class 2.3 ETSI EN 300019-1-4 Class 4.1E |
| Degree of Protection | IP 65 (Outdoor) |
| Operation Ambient Temperature Range | -30 °C to +75 °C |
| Storage Ambient Temperature Range | -40 °C to +80 °C |
| Relative Humidity, max. | 95 % (non-condensing) |

Website: benelec.au