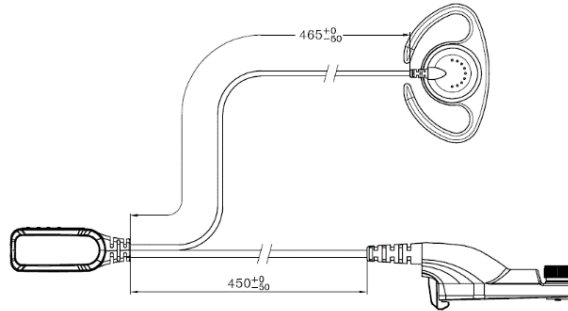


## DATASHEET

SKU: 07832M7

### Flexible 'D' Ear Headset In line Push-To-Talk with M7 Termination



#### ELECTRICAL SPECIFICATION

Speaker Dimension	23 mm
Rated Input Power	100mW
Max. Input Power	200mW
Sound Pressure Level	110 dB $\pm$ 4 dB
Operation Test	Must be Normal
Distortion	5% Max.

#### PACKAGING

Each: Net Weight - 45 g  
Box: 25 Pcs - G.W. - 1.12kg

#### WARRANTY

12 months (Please refer to [Benelec Terms & Conditions](#))

Website: [benelec.au](http://benelec.au)