

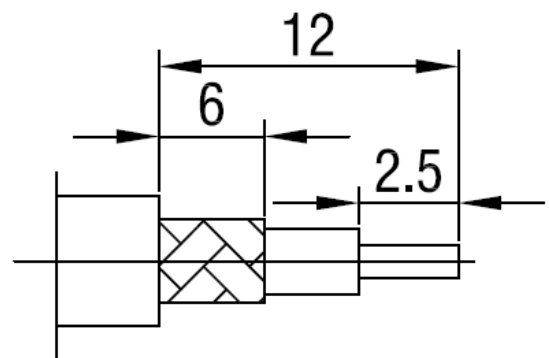
DATASHEET

QMA Bulkhead Socket for RG58 /LL195 Coax

PART NO: 04Q033



Cable Stripping Dimensions (mm)



This QMA crimp-type straight jack has a gold-plated crimp ferrule, nut, washer, and shell, which provides corrosion resistance properties. Soldering is required for connecting the centre pin. This connector has an O-ring with silicone rubber material for protection.

FEATURES

- Gold Plated Shell
- With Teflon Insulator
- Gold plated Nut and Washer
- 50 Ohm
- Reliable, Robust & Durable

APPLICABLE CABLES

RG58 and LL195 coaxial cable.

CRIMP HEX

5.41 mm

MATERIALS & PLATING

	Description	Material	Surface Plating
1	Contact Socket	Beryllium	Gold
2	Shell/ Body	Brass	Gold
3	Insulator	Teflon	N/A
4	Crimp Ferrule	Brass	Gold
5	Nut	Brass	Gold
6	Washer	Bronze	Gold
7	O-Ring	Silicone Rubber	N/A

PACKAGING

Each: Net Weight - 6g
Poly Bag: 50 pcs - G.W. 0.3 kg
Box: 500 Pcs - G.W. 3 kg

WARRANTY

12 months (Please refer to [Benelec Terms & Conditions](#))