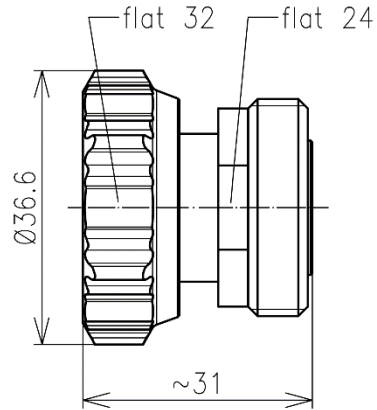


## DATASHEET

PART NO: **0485141S**

### 7-16 DIN Socket to 7-16 DIN Plug Port Adaptor



The 0485141S is a 7-16 DIN Socket to 7-16 DIN Plug Port Adaptor. This connector has a silver-plated inner and outer conductor. PTFE insulator and silicon rubber sealing are provided for protection.

#### FEATURES

- Silver Plated Inner Conductor and Outer Conductor
- With PTFE Insulator
- Silicon Rubber Sealing
- 50 Ohm
- Reliable, Robust & Durable

#### MATERIALS & PLATING

	Description	Material	Surface Plating
1	Inner Conductor	Copper - Alloy	Silver
2	Outer Conductor	Copper- Alloy	Silver
3	Insulator	PTFE	N/A
4	Sealing	Silicon Rubber	N/A

#### PACKAGING

Each: Net Weight - 85g  
Poly Bag: 50 pcs - G.W. 4.25kg  
Box: 500 Pcs - G.W. 42.5kg

#### WARRANTY

12 months (Please refer to [Benelec Terms & Conditions](#))