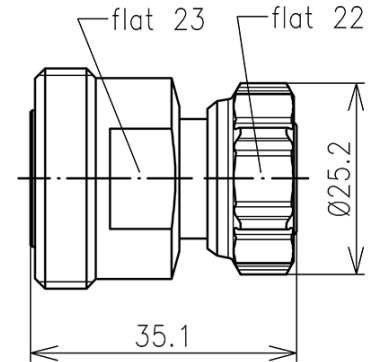


## DATASHEET

### 4.3-10 DIN Socket to N Socket Adaptor

PART NO: **048507S**



The 048507S is a 4.3-10 DIN Socket to N Socket Adaptor. This connector has a silver-plated inner and CuSnZn - plated outer conductor. This connector is also IP68 rated.

#### FEATURES

- Silver Plated Inner Conductor
- CuSnZn Plated Outer Conductor
- PTFE Insulator
- Silicon Rubber Sealing
- 50 Ohm
- IP68 Rated
- Reliable, Robust & Durable

#### MATERIALS & PLATING

	Description	Material	Surface Plating
1	Inner Conductor	Copper - Alloy	Silver
2	Outer Conductor	Copper- Alloy	CuSnZn
3	Insulator	PTFE	N/A
4	Sealant	Silicon Rubber	N/A

#### PACKAGING

Each: Net Weight - 85g  
Poly Bag: 50 pcs - G.W. 4.25kg  
Box: 500 Pcs - G.W. 42.5kg

#### WARRANTY

12 months (Please refer to [Benelec Terms & Conditions](#))