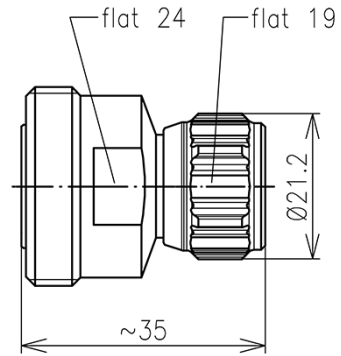


DATASHEET

7-16 DIN Socket to N Plug Adaptor

PART NO: **048505S**



The 048505S is a 7-16 DIN Socket to N Plug Adaptor. This connector has a silver-plated inner and outer conductor. PTFE insulator and silicon rubber sealing are provided for protection.

FEATURES

- Silver Plated Inner Conductor and Outer Conductor
- With PTFE Insulator
- Silicon Rubber Sealing
- 50 Ohm
- Reliable, Robust & Durable

MATERIALS & PLATING

	Description	Material	Surface Plating
1	Inner Conductor	Copper - Alloy	Silver
2	Outer Conductor	Copper - Alloy	Silver
3	Insulator	PTFE	N/A
4	Sealing	Silicon Rubber	N/A

PACKAGING

Each: Net Weight - 75g
Poly Bag: 50 pcs - G.W. 3.75kg
Box: 500 Pcs - G.W. 37.5kg

WARRANTY

12 months (Please refer to [Benelec Terms & Conditions](#))