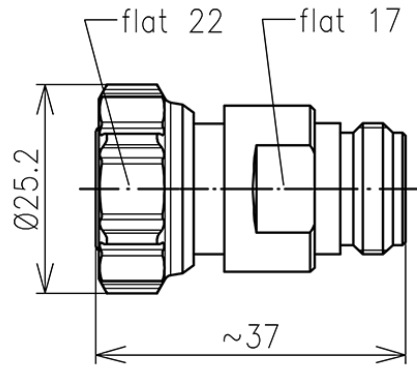


DATASHEET

4.3-10 DIN Plug to N Socket Adaptor Spinner BN432025



The 0483122S is a 4.3-10 DIN Plug to N Socket Adaptor. This connector has a silver-plated inner and CuSnZn - plated outer conductor. PTFE insulator provides protection.

FEATURES

- Silver Plated Inner Conductor
- CuSnZn Plated Outer Conductor
- PTFE Insulator
- Silicon Rubber Sealing
- 50 Ohm
- Reliable, Robust & Durable



MATERIALS & PLATING

	Description	Material	Surface Plating
1	Inner Conductor	Copper - Alloy	Silver
2	Outer Conductor	Copper- Alloy	CuSnZn
3	Insulator	PTFE	N/A
4	Sealant	Silicone Rubber	N/A

PACKAGING

Each: Net Weight - 60g
Poly Bag: 50 pcs - G.W. 3kg
Box: 500 Pcs - G.W. 30kg

WARRANTY

12 months (Please refer to [Benelec Terms & Conditions](#))