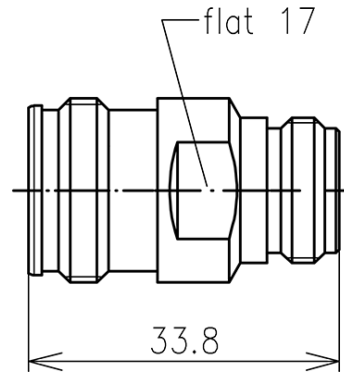


DATASHEET

SKU: 0483121S

4.3-10 DIN Socket to N Socket Adaptor

Spinner BN 432010



The 0483121S is a 4.3-10 DIN Socket to N Female to Female adaptor. This connector has a silver-plated inner and CuSnZn - plated outer conductor. IP68 protection is ensured.

FEATURES

- Silver Plated Inner Conductor
- CuSnZn Plated Outer Conductor
- PTFE Insulator
- 50 Ohm
- IP68 Rated
- Reliable, Robust & Durable

MATERIALS & PLATING

	Description	Material	Surface Plating
1	Inner Conductor	Copper - Alloy	Silver
2	Outer Conductor	Copper- Alloy	CuSnZn
3	Insulator	PTFE	N/A

PACKAGING

Each: Net Weight - 45g
Poly Bag: 50 pcs - G.W. 2.2kg
Box: 500 Pcs - G.W. 22kg

WARRANTY

12 months (Please refer to [Benelec Terms & Conditions](#))



Website: benelec.au