

## DATASHEET

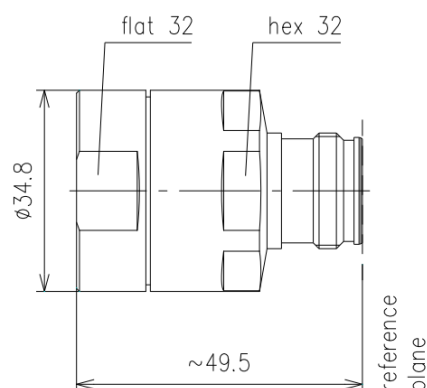
### CABLE SOCKET FOR 7/8" FEEDER CABLE, TYPE 4.3-10

### SPINNER MULTIFIT BN431002



## SPECIFICATIONS

Interface Type	4.3-10 socket (50 Ω) per IEC 61169-54
Frequency Range	DC to 3.8 GHz
VSWR, max.	1.02 @ DC to 1 GHz 1.03 @ 1 to 2.7 GHz 1.08 @ 2.7 to 3.8 GHz
Degree of Protection	IP68 per EN 60529 (interface connected with appropriate gasket)
Weight, approx.	0.175 kg



## MATERIALS & PLATING

	Description	Material	Surface Plating
1	Inner Conductor	Copper Alloy	Silver
2	Outer Conductor	Copper Alloy	CuSnZn
3	Other Metal Parts	Copper Alloy Copper Alloy Copper Alloy	Bright Nickel Sn CuSnZn
4	Insulation	PTFE	N/A
5	Sealing	Silicone Rubber	N/A

## CABLE COMPATIBILITY

Spinner	SPINNERFlex™ LF7/8"-50
Acome	HPL50-7/8 ALU, HPL50-7/8 F, HPL50-7/8 LA
Andrew	AL5-50, AVA5-50, VXL5-50
Draka	RFA 7/8"-50, RFA 7/8"-50 AI, RFE 7/8"-50
Eupen	EA5-50 Aluminium, EC5-50-A, EC5-50-HF
Hansen	RF 50 7/8"
Hengxin	HCTAY-50-22
Leoni	FlexLine 7/8" R Low Loss
LS Cables	LHF 22D, HFC 22D
RFS	LCF 78-50 A, LCF 78-50 L, UCF 78-50 A, UCF 78-50 L