

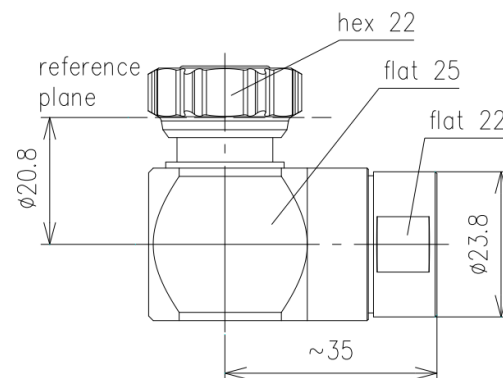
DATASHEET

RIGHT ANGLE CABLE PLUG FOR 1/2" FEEDER CABLE, TYPE 4.3-10 SPINNER MULTIFIT BN431116



SPECIFICATIONS

Interface Type	4.3-10 plug screw (50 Ω) per IEC 61169-54
Frequency Range	DC to 3.8 GHz
VSWR, max.	1.03 @ DC to 1 GHz 1.06 @ 1 to 2.7 GHz 1.10 @ 2.7 to 3.8 GHz
Degree of Protection	IP68 per EN 60529 (barrier and mating face sealed)
Weight, approx.	165 g



MATERIALS & PLATING

	Description	Material	Surface Plating
1	Inner Conductor	Copper Alloy	Silver
2	Outer Conductor	Copper Alloy	CuSnZn
3	Other Metal Parts	Copper Alloy Copper Alloy Copper Alloy	Bright Nickel Sn CuSnZn
4	Insulation	PTFE	N/A
5	Sealing	Silicone Rubber	N/A

CABLE COMPATIBILITY

Spinner	SPINNERFlex™ LF1/2"-50
Acome	HPL50-1/2F
Andrew	LDF4-50A
Draka	RFA 1/2"-50
Eupen	EC4-50
Hansen	RF 50 1/2"
Hengxin	HCAAY-50-12
Leoni	FlexLine 1/2" R
LS Cables	HFC 12D Flexible Foam
RFS	LCF 12-50, LCF-50 L