

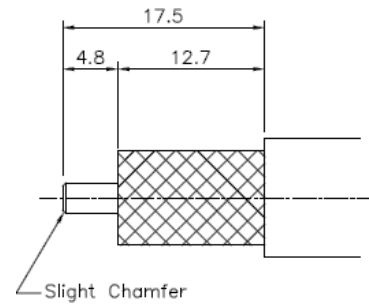
DATASHEET

PART NO: 04809

7-16 DIN Plug for RG8 / LM400 / LMR400 / LL400 Coax



Cable Stripping Dimensions



04809 is a 7-16 DIN Plug and includes a spring finger centre and crimp outer sleeve. This connector has a silver-plated centre pin, nickel-plated body, coupling cap, and ferrule. PTFE insulator and silicon rubber gasket are provided for protection.

FEATURES

- Silver Plated Centre Pin
- With PTFE Insulator
- Nickel Plated Body, Coupling Cap, Ferrule
- Silicon Rubber Gasket
- 50 Ohm
- Reliable, Robust & Durable

APPLICABLE CABLES

04809 is applicable to RG8, LMR400, LL400 coaxial cables.

Crimp

10.7 mm

MATERIALS & PLATING

	Description	Material	Surface Plating
1	Body	Brass	Nickel
2	Centre Contact	Brass	Silver
3	Insulator	PTFE	N/A
4	Ferrule	Brass	Nickel
5	Coupling Cap	Brass	Nickel
6	Gasket	Silicon Rubber	N/A

CABLE COMPATIBILITY

RG8, LMR400, LL400

PACKAGING

Each: Net Weight - 106g
Poly Bag: 50 pcs - G.W. 5.3kg
Box: 500 Pcs - G.W. 53kg

WARRANTY

12 months (Please refer to [Benelec Terms & Conditions](#))