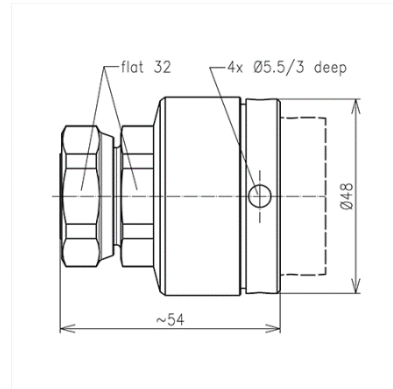


DATASHEET

7-16 DIN Plug for 1 1/4" Feeder

PART NO: **048008MLS**



The 048008MLS is a 7-16 DIN Plug for 1 1/4" Feeder. This connector has a silver-plated inner and CuSnZn plated outer conductor. PTFE insulator and silicon rubber sealing are provided for protection.

FEATURES

- Silver Plated Inner Conductor and
- CuSnZn Plated Outer Conductor
- With PTFE Insulator
- Silicon Rubber Sealing
- 50 Ohm
- Reliable, Robust & Durable

MATERIALS & PLATING

	Description	Material	Surface Plating
1	Inner Conductor	Copper - Alloy	Silver
2	Outer Conductor	Copper- Alloy	CuSnZn
3	Insulator	PTFE	N/A
4	Sealing	Silicon Rubber	N/A

PACKAGING

Each: Net Weight - 280g
Poly Bag: 50 pcs - G.W. 14kg
Box: 500 Pcs - G.W. 140kg

WARRANTY

12 months (Please refer to [Benelec Terms & Conditions](#))