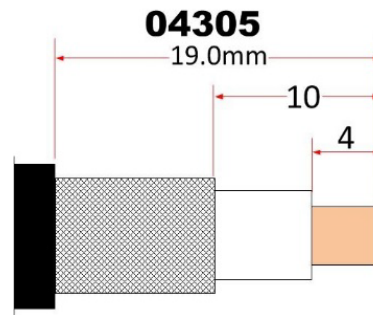


DATASHEET

BNC Plug for RG213/RG214



Cable Preparation



The **04305 BNC plug** is a solder inner – crimp outer solder style, although it can be used as crimp inner, crimp outer. It is a quality Nickel plated product with gold finish on the centre pin contact & also the soldering surface (inside of centre pin). Unlike silver plated connectors it has high resistance to tarnishing.

The construction features Brass metal parts with Nickel- or Gold-plated surfaces as appropriate. It uses Teflon dielectric.

FEATURES

- Brass metal parts
- Gold Plated centre pin
- Nickel plated (all else)
- Teflon Dielectric
- Reliable, Robust, Durable
- Suitable up to 2GHz
- Solder centre (or Crimp)
- Terminate braid by Crimp, ideally 10.6mm
- Durability >= 500 cycle

MATERIAL AND PLATING

Description	Material	Surface Plating
Shell/Body	Brass	Nickel
Contact Pin	Brass	Gold
Insulator	Teflon	N/A

PACKAGING

Each: N.W. 15g
Poly Bag 25x: G.W. 390g
Box of 100: G.W. 1.6 kg

WARRANTY

12 months (Please refer to [Benelec Terms & Conditions](#))