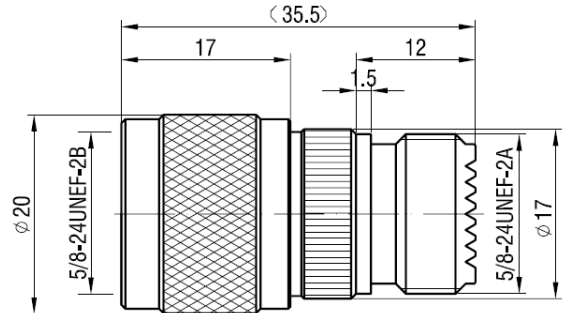


## DATASHEET

### Adaptor N Plug to UHF Socket

PART NO: 04282



04282 is an N Plug to UHF Socket. This connector has a silver-plated conductor and nickel-plated body with an ABS insulator.

#### FEATURES

- Silver Plated Conductor
- With ABS Insulator
- Nickel Plated Body
- 50 Ohm
- Reliable, Robust & Durable

#### MATERIALS & PLATING

	Description	Material	Surface Plating
1	Body	Brass	Nickel
2	Conductor	Brass	Silver
3	Insulator	ABS	N/A

#### PACKAGING

Each: Net Weight - 44g  
Poly Bag: 50 pcs - G.W. 2.2kg  
Box: 500 Pcs - G.W. 22kg

#### WARRANTY

12 months (Please refer to [Benelec Terms & Conditions](#))