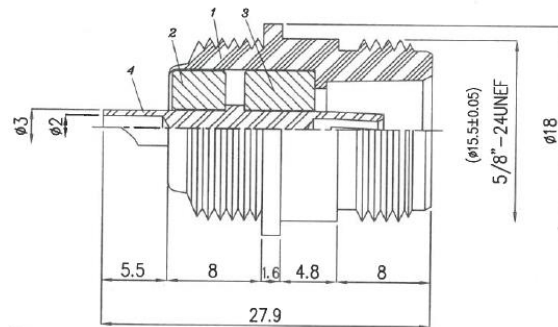


## DATASHEET

### N Socket Panel No Flange

PART NO: 04230



The 04230 is an N socket panel, no flange type connector. It has solder pot contact. The centre pin is gold-plated, and the body is nickel-plated.

#### FEATURES

- Gold Plated Centre Pin
- With Two PTEF Insulators
- Nickel Plated Body
- 50 Ohm
- Reliable, Robust & Durable
- RoHS complaint

#### MATERIALS & PLATING

	Description	Material	Surface Plating
1	Body	Brass	Nickle
2	Centre Pin	Brass	Gold
3	Dielectric 1	PTEF	N/A
4	Dielectric 2	PTEF	N/A
5	Nut	Brass	Nickel
6	Solder Tag	Brass	Nickel

#### PACKAGING

Each: Net Weight - 28g  
Poly Bag: 50 pcs - G.W. 1.4 kg  
Box: 500 Pcs - G.W. 14kg

#### WARRANTY

12 months (Please refer to [Benelec Terms & Conditions](#))