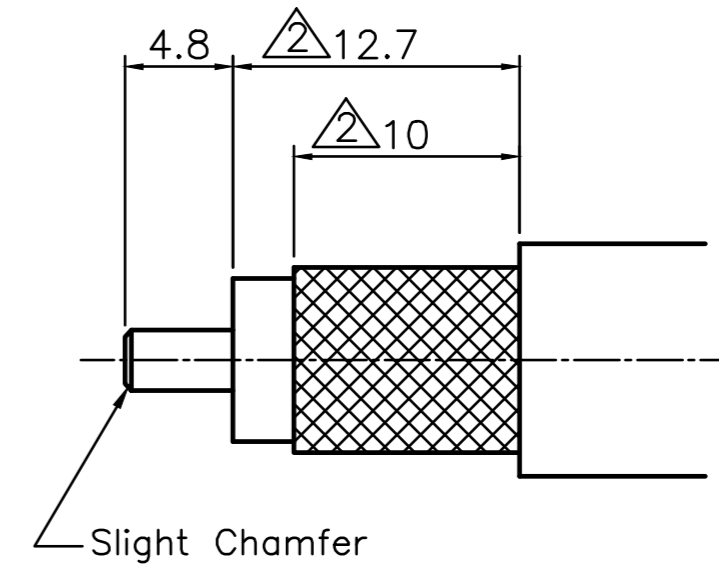
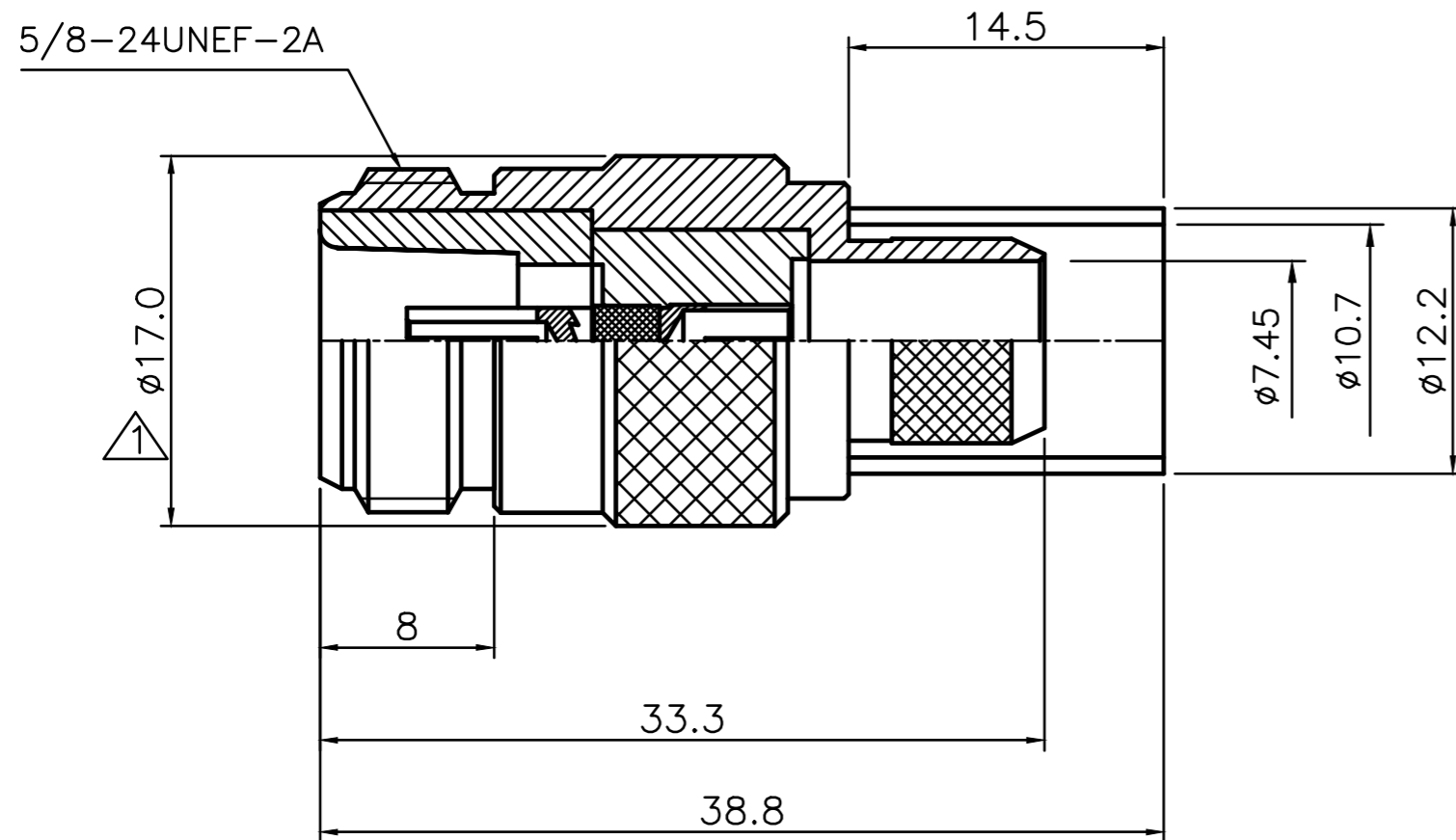


DRAWING

N Socket for RG8 / LM400 / LMR400 Coax



Recommended Stripping DIM'S

Recommended Crimp DIES : HEX10.7

SPECIFICATIONS

Impedance 50ohm
Frequency ; DC~6GHz
Working Voltage; 1,000 VRMS VSWR ; max 1.25: 1 UP TO 3.0GHz
VSWR ; max 1.25: 1 UP TO 3.0GHz
Temperature range : -55°C to +155°C

Connector parts	Materials	Finish
Body	Brass	Nickel Plated
Center contact	Be-Cu	Gold Plated
Insulator	TEFLON	-
Ferrule	Brass	Nickel Plated

