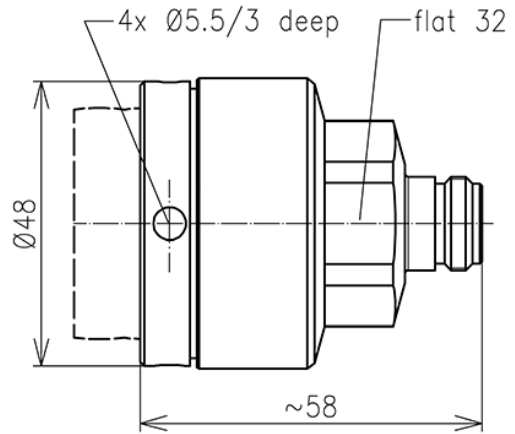


DATASHEET

N Socket for 1 1/4" Feeder Cable

PART NO: 042108MLS



The 042108MLS is a N Socket for 1 1/4" Feeder Cable. This connector has a silver-plated inner and CuSnZn – plated outer conductor. PTFE insulator and silicon rubber sealing are provided for protection.

FEATURES

- Silver Plated Inner Conductor
- CuSnZn Plated Outer Conductor
- With PTFE Insulator
- Silicon Rubber Sealing
- 50 Ohm
- Reliable, Robust & Durable

MATERIALS & PLATING

	Description	Material	Surface Plating
1	Inner Conductor	Copper - Alloy	Silver
2	Outer Conductor	Copper- Alloy	CuSnZn
3	Insulator	PTFE	N/A
4	Sealing	Silicon Rubber	N/A

PACKAGING

Each: Net Weight - 255g
Poly Bag: 50 pcs - G.W. 12.75kg
Box: 500 Pcs - G.W. 127.5kg

WARRANTY

12 months (Please refer to [Benelec Terms & Conditions](#))