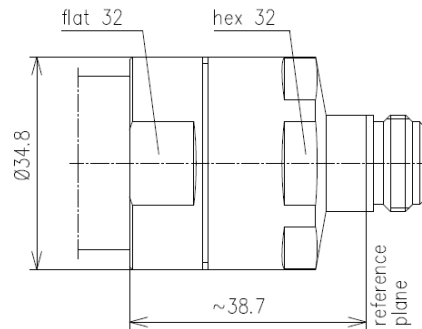


DATASHEET

N Socket for 7/8" Feeder Cable

PART NO: 042107MLS



The 042107MLS is an N socket-type connector. It has a gold-plated inner conductor and a nickel-plated outer conductor. This connector also has a silicone rubber for sealing and protection.

FEATURES

- Gold Plated Inner Conductor
- With TEFLON insulator
- Nickel Plated Outer Conductor
- 50 Ohm
- Reliable, Robust & Durable
- Sealed with silicone rubber
- With the frequency range: 0 – 1 GHz, $\leq 1 - 2.7$ GHz, $\leq 2.7 - 3.8$ GHz

APPLICABLE CABLES

042107MLS is applicable for 7/8" feeder coaxial cable.

MATERIALS & PLATING

	Description	Material	Surface Plating
1	Inner Conductor	Brass	Gold
2	Outer Conductor	Brass	Nickel
3	Insulator	TEFLON	N/A
4	Sealing	Silicon Rubber	N/A

CABLE COMPATIBILITY

Spinner	SPINNER Flex™ LF7/8"-50
Acome	HPL50-7/8 ALU, HPL50-7/8 F, HPL50-7/8 LA
Andrew	AL5-50, AVA5-50, VXL5-50
Draka	RFA 7/8"-50, RFA 7/8"-50 AL, RFE 7/8"-50
Eupen	EA5-50 Aluminium, EC5-50-A, EC5-50-HF
Hansen	RF 50 7/8"
Hengxin	HCTAY-50-22
Leoni	Flex Line 7/8" R Low Loss
LS Cables	LHF 22D, HFC 22D
RFS	LCF 78-50 A, LCF 78-50 L, UCF 78-50 A, UCF 78-50 L

PACKAGING

Each: Net Weight – 142g
Poly Bag: 50 pcs - G.W. 7.1kg
Box: 500 Pcs - G.W. 71kg

WARRANTY

12 months (Please refer to [Benelec Terms & Conditions](#))