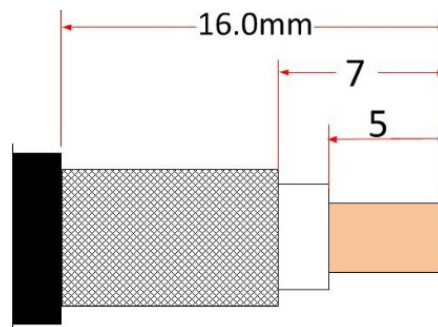


DATASHEET

N-PLUG FOR LL195 / RG58 / RG223 50 Ω, CRIMP



Cable Stripping Dimensions



The 04206 N-type plug is a commercial quality crimp center, crimp outer style. It is a quality Nickel plated product with Gold finish on the centre pin contact & also the soldering surface (inside of centre pin). Unlike silver plated connectors it has high resistance to tarnishing. The shield is crimped.

The shield screw thread connection conforms to the proper 5/8"-24UNEF-2B standard imperial thread.

FEATURES

- Gold Plated Centre & Nickel Plated Outer
- Captive Centre Pin
- RoHS Compliant

APPLICABLE CABLES

For use with 5mm 50ohm coaxial cables including:

056031 LL195
05602ABK RG-58C/U
056081 RG223 (TPC)
056082 Coax RG233 (SPC)

& others, including LMR195 and similar.

CRIMP

0.213in (5.41mm)

MATERIALS & PLATING

	Description	Material	Surface Plating
1	Shell/Body	Brass	Nickel
2	Contact Pin	Phosphor Bronze	Gold
3	Insulator	PTFE	N/A
4	Crimp Sleeve	Brass	Nickel

CABLE COMPATIBILITY

Times Microwave	LMR400 / LMR400-UF
Aircom	Plus 6060
Benelec	05601 (LL400)
Alcatel	HF 50 2.7/7.3
Ericsson	TZC 500 32
Belden	9913
Amphenol	TWB 4001
CommScope	CNT-400

PACKAGING

Each: N.W. 26g ; PolyBag 100x: G.W. 2.6kg

Box 1000x: G.W. 26kg

WARRANTY

12 months (Please refer to [Benelec Terms & Conditions](#))