

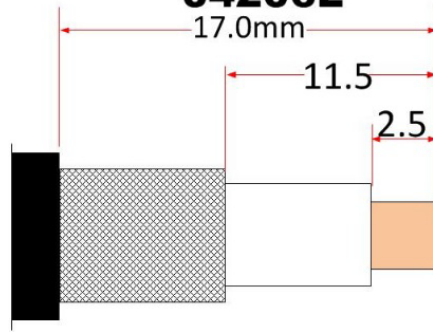
DATASHEET

SKU: 04206L

N Plug Right Angle for RG58



Coax Preparation 04206L



The **04206L Right Angle N-type plug** is a commercial quality solder centre, crimp outer style. It is a quality nickel plated product with a gold finish on the centre pin contact & also the soldering surface (inside of centre pin). Unlike silver plated connectors it has high resistance to tarnishing. The shield is crimped.

The shield screw thread connection conforms to the proper 5/8"-24UNEF-2B standard imperial thread.

APPLICATION

For use with 5mm 50ohm coaxial cables including:

056031 **LL195**
05602ABK **RG-58C/U**

& others including LMR195 and similar.

CRIMP

5.4-5.5mm Hex crimp.

MATERIAL AND PLATING

Description	Material	Surface Plating
Shell/Body	Brass	Nickel
Contact Pin	Phosphor Bronze	Gold
Insulator	PTFE	N/A

PACKAGING

Each: N.W. 19.8g.
polybag 25x: G.W. 500g.
Box 100x: G.W. 2.0kg

WARRANTY

12 months (Please refer to [Benelec Terms & Conditions](#))

Website: benelec.au