

DATASHEET

N Plug for 7/8" Feeder Cable

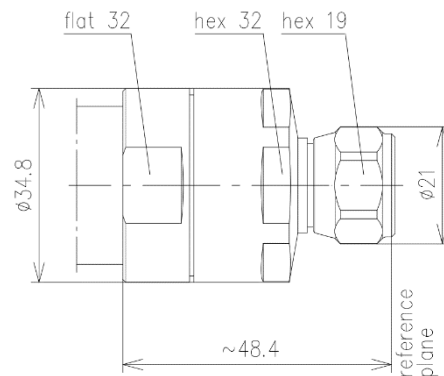
Spinner BN706402

SKU: 042007MLS



SPECIFICATIONS

Interface Type	N Plug (50 Ω)		
Frequency Range	0 -1 GHz	≤1-2.7 GHz	≤2.7-3.8 GHz
VSWR	≤ 1.02	≤ 1.03	≤ 1.08
Degree of Protection	IP68 (mated)		
Standards	IEC 61169-16		



MATERIALS & PLATING

	Description	Material	Surface Plating
1	Inner Conductor	Copper Alloy	Silver
2	Outer Conductor	Copper Alloy	CuSnZn
3	Other Metal Parts	Copper Alloy Copper Alloy Copper Alloy	Sn CuSnZn Nickel
4	Insulation	PTFE	N/A
5	Sealing	Silicone Rubber	N/A

CABLE COMPATIBILITY

Spinner	SPINNERFlex™ LF7/8"-50
Acome	HPL50-7/8 ALU, HPL50-7/8 F, HPL-7/8 LA
Andrew	AL5-50, AVA5-50, VXL5-50
Draka	RFA 7/8"-50, RFA 7/8"-50 AL, RFE 7/8"-50
Eupen	EA5-50 Aluminium, EC5-50-A, EC5-50-HF
Hansen	RF 50 7/8"
Hengxin	HCTAY-50-22
Leoni	FlexLine 7/8" R Low Loss
LS Cables	LHF 22D, HFC 22D
RFS	LCF 78-50 A, LCF 78-50 L, UCF 78-50 A, UCF 78-50 L

Website: benelec.au