

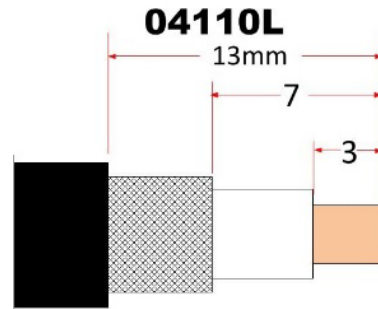
DATASHEET

SKU: 04110L

UHF Socket for RG58



Coax preparation



The 04110L mount is essentially an SO-239 designed to mount on many brackets & mates with antennas that have integral PL-259 plugs whilst accepting 5mm style coax, including:

Benelec **05602ABK** RG-58 C/U, **05603** Low Loss RG-58, **056031** LL195.

The construction features plated brass with low profile mount.

FEATURES

- Nickel Plated brass.
- Gold plated centre-pin
- Teflon dielectric
- Suits Ground Independent Antennas with PL-259
- Reliable, Robust, Durable
- Twist on shield connection
- Bottom cover access for soldering centre pin
- Useable up to 520MHz.
- Suits mounts with 16mm holes including all Optional Mountings below.

APPLICATION

Suitable for Ground Independent antennas using PL-259 (UHF male) connectors, such as Benelec **02629**, **02632**, **02634XC**.

OPTIONAL MOUNTINGS

- 02728** Mirror Bracket S/S
- 02728B** Mirror Bracket ZPS
- 02729** Wall Bracket S/S 80mm
- 025222** Mast Bracket S/S 330mm
- 027291** "L" Bracket S/S
- 027293** Roof Bar Bracket S/S
- 02730** Right Angle S/S Bull Bar Bracket
- 02730B** Right Angle ZPS Bull Bar Bracket
- 027303** Adjustable Tilt Lip Mount
- 02732** Extra Heavy Duty Polish S/S Bull Bar Bracket
- 02734** "Z" Bracket S/S
- 027313** Wrap Around Antenna Bracket (45mm)
- 027314** Wrap Around Antenna Bracket (50mm)
- 027315** Wrap Around Antenna Bracket (63mm),
- 027316** (76mm)

PACKAGING

Individual, N.W. 48g

WARRANTY

12 months (Please refer to [Benelec Terms & Conditions](#))