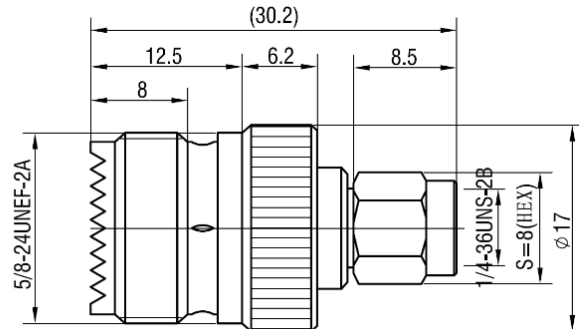


DATASHEET

SMA Plug to UHF Socket Adaptor

PART NO: **0400410**



The 0400410 is a SMA Plug to UHF Socket Adaptor. This connector has a gold-plated centre pin and nickel-plated body. Teflon insulator is provided for protection.

FEATURES

- Gold Plated Centre Pin
- With Teflon Insulator
- Nickle Plated Body
- 50 Ohm
- Reliable, Robust & Durable

MATERIALS & PLATING

	Description	Material	Surface Plating
1	Contact	Brass	Gold
2	Shell/ Body	Brass	Nickle
3	Insulator	TEFLON	N/A
4	Nut	Brass	Nickle

PACKAGING

Each: Net Weight - 16g
Poly Bag: 50 pcs - G.W. 0.8kg
Box: 500 Pcs - G.W. 8kg

WARRANTY

12 months (Please refer to [Benelec Terms & Conditions](#))