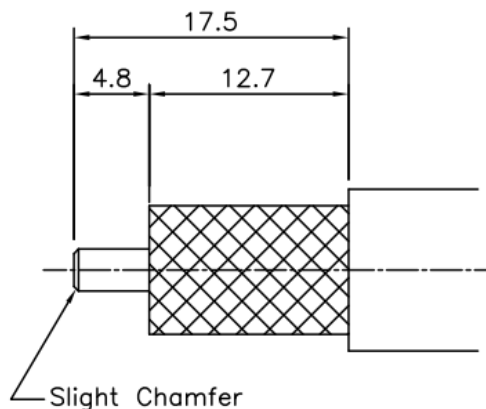


DATASHEET

SMA STRAIGHT PLUG FOR LL400, SPRING CENTRE



Cable Stripping Dimensions



The 040014 SMA-type plug is a commercial quality spring finger coaxial connector. It is a quality Nickel plated product with Gold finish on the centre pin contact & there is no soldering or crimping required for the centre conductor, as the spring finger captivates the cable as it is pushed into the connector. Unlike silver plated connectors it has high resistance to tarnishing.

FEATURES

- Gold Plated Centre & Nickel Plated Outer
- Spring Finger Centre Pin fixed in the connector & Crimp Outer Conductor
- RoHS Compliant

APPLICABLE CABLES

Straight SMAp for 10mm solid core 50ohm coax LL400 [056041](#)...and similar, such as LMR400 etc Spring Finger inner & crimp outer. Teflon (PTFE) dielectric.

Internal silicon rubber gasket for waterproofing.

CRIMP

10.7 mm Hex Crimp.

MATERIALS & PLATING

	Description	Material	Surface Plating
1	Coupling Cap	Brass	Nickel
2	Body	Brass	Nickel
3	Centre Conductor	Beryllium Copper	Gold
4	Crimp Sleeve	Brass	Nickel
5	Insulator	PTFE	N/A
6	Gasket	Silicone Rubber	N/A

CABLE COMPATIBILITY

Times Microwave	LMR400 / LMR400-UF
Aircom	Plus 6060
Benelec	05601 (LL400)
Alcatel	HF 50 2.7/7.3
Ericsson	TZC 500 32
Belden	9913
Amphenol	TWB 4001
CommScope	CNT-400

PACKAGING

Each Poly: N.W. 20g ; PolyBag 50x: G.W. 1kg
Box 500x: G.W. 10kg

WARRANTY

12 months (Please refer to [Benelec Terms & Conditions](#))