

DATASHEET

PART NO: **02942051P**

6 BAND SHARK FIN ANTENNA



FEATURES

- 2 x 2 MiMo 5G Antenna (617 – 960 MHz and 1710 – 3800 MHz)
- 2 x 2 MiMo Dual WiFi 2.4 and 5.8 GHz
- GNSS antenna for GPS L1, Glonass, Beidou & Galileo
- GPS antenna
- No diplexer needed
- Full hemispherical coverage for the GNAA and GPS
- Built-in high gain, low noise amplifier
- Right- Hand Circular Polarisation
- 3 – 15 VDC for GNSS supply
- DC supply via GNSS RF-connector

WARRANTY

12 months (Please refer to Benelec Terms & Conditions)

OPTIONS

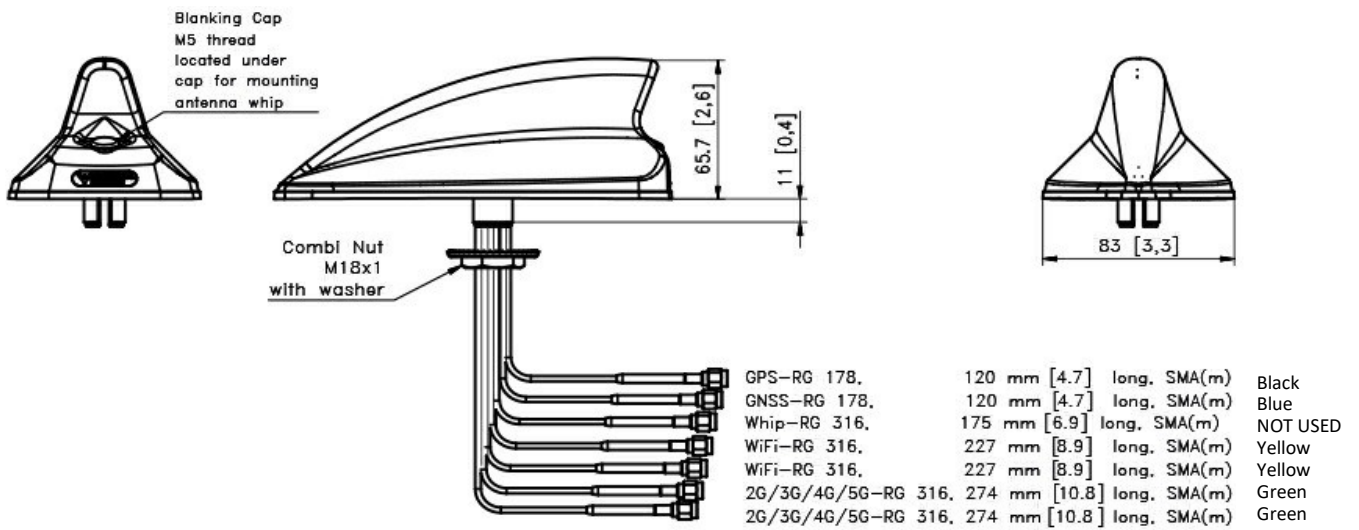
Antenna whips, cable and adaptor accessories available on request

A 2x2 MiMo WIFI multipurpose shark fin antenna for GNSS, GPS, 5G and dual WIFI 2.4/5.8 GHz.

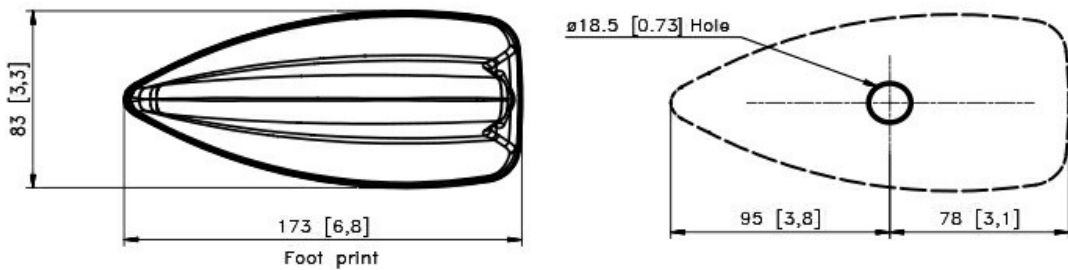
SPECIFICATIONS

Materials	Reinforced PA, Zamak 5	Frequency	4G/5G 2x2 MiMo: 617 - 960 MHz, 1710 - 3800 MHz WiFi 2x2 MiMo: 2400 - 2500 MHz, 5000 - 6000 MHz GNSS 1559 - 1609 MHz (GPS L1, Glonass, Beidou and Galileo) GPS 1575 MHz
Installation Torque	4 +/- 0.5 Nm	Antenna Type	Mobile Shark Fin Style Antenna
Colour	Black (RAL 9005)	Polarisation	Vertical
Dimensions	Approx. 83 x 173 mm	Impedance	50 Ω
Max. Roof Thickness	3 mm	Gain (peak)	4G/5G 4dBi (617 - 960 MHz) 4G/5G 7dBi (1710 - 3800 MHz) WiFi 6 dBi (2.4 GHz & 5.8 GHz)
Whip Connection	M6	Isolation	(With 5m RG58) >10 dB for 617 - 960MHz >20 dB for 1710 - 3800MHz >25 dB for WiFi
Height	66 mm	Correlation Coefficient	< 0.4 for 617 - 700 MHz < 0.25 for 700 - 960 MHz < 0.1 for 1710 - 3800 MHz
Weight	0.35 kg	VSWR	< 2.2:1 for 617 -960 MHz < 2.0:1 for 1710 - 3800 MHz < 2.0:1 for 2400 - 2500 MHz < 2.0:1 for 5000 - 6000 MHz
Mounting	18.5 mm diameter hole Max roof curvature: 2.0 mm (on 173 mm)	Max. Input Power	25 W for 4G/5G and WiFi 100 W for whip
Cable Length	GPS & GNSS: 120mm x 2 Dual WiFi: 230mm x 2 4G/5G: 274mm x 2 Whip: 170mm	Operating Temperature Range	-50°C to +75°C
Terminations	SMAp x 6	Water Resistance	IP67

INSTALLATION INSTRUCTIONS



INSTALLATION DIMENSIONS



Mounting Instructions:

- Drill a 18.5-19 mm hole in the car roof
- Max roof curvature: 2.0 mm [0.08] (on 173mm)
- Pull the cables through the hole.
- Tighten the combi nut with 24 mm spanner wrench
- Recommended torque: 5Nm

