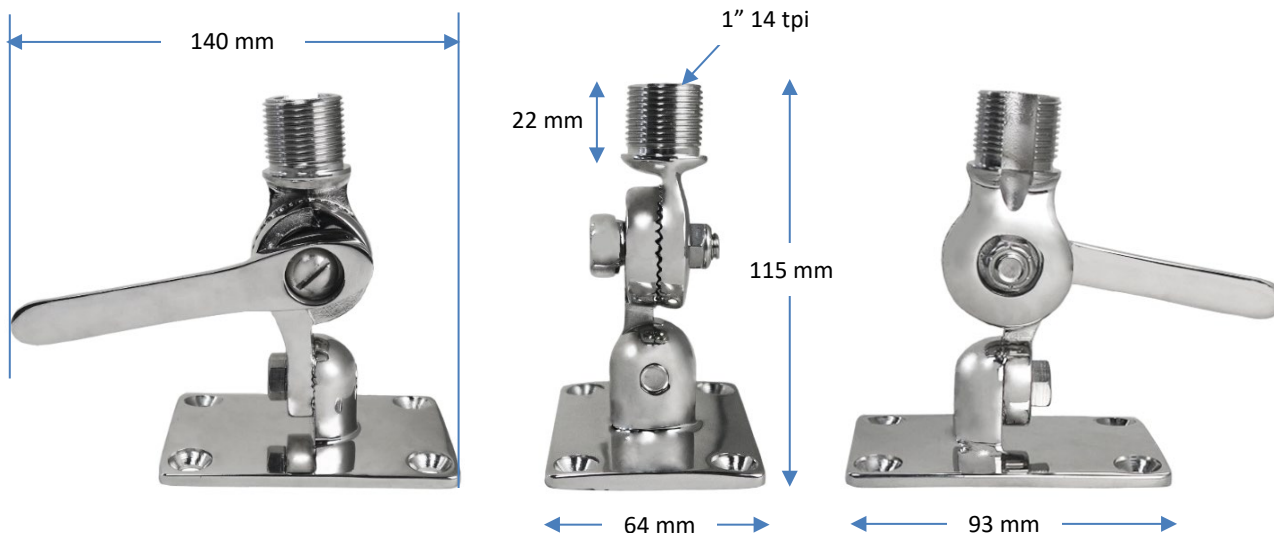


DATASHEET

PART NO: 02737

MARINE HEAVY DUTY STAINLESS STEEL TWO-WAY ADJUSTABLE KNUCKLE ANTENNA MOUNT



A heavy duty adjustable antenna mount that articulates for horizontal, vertical or inclined mounting surfaces. It is entirely constructed of polished cast stainless steel, ideally suited to shipboard and fixed station applications. The base allows for the feeder cable to exit through the bottom of the antenna mounting ferrule. The male mounting thread is the Marine standard 1" 14 tpi.

FEATURES

- All Stainless Steel construction and hardware
- Accepts all antennas with 1" – 14 tpi female thread 1" long
- Positive cam lockdown handle
- 8mm access slot for cable routing through the top section
- Can be mounted to any angled flat surface
- Two-way 180° at right angles to each other
- Supplied already assembled, ready to use

Note: Mounting screws not supplied

PACKAGING

1 per box 147 x 74 x 94 mm

Carton: 20 pcs/carton 340 x 290 x 260 mm, G.W.: 19.5 kg

OPERATION

Shipboard and fixed station applications. By lifting the Handle toward the vertical will disengage the V-groves and allows the top antenna mounting section to swivel through 180°. To lock the fitting in the desired position, bring the Handle back down to the Horizontal.

The locking screw in the bottom section can be loosened to allow for adjustment through 180° at right angles to the top section.

Consult the Marine Antenna Installation Instructions supplied with your Marine Antenna for the proper procedure to follow in the installation and use of your Marine Antenna.

SPECIFICATIONS

Height incl. Thread	115 mm
Height excl. Thread	92 mm
Weight	560 gms
Base	94 x 64 x 5.8 mm
Mounting screw holes	74.5 x 46.0 x 7.5 mm

WARRANTY

2 Years Please refer to [Benelec Terms & Conditions](#))