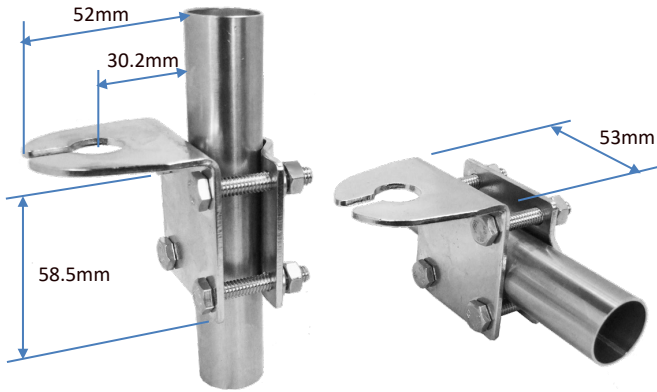


## DATASHEET

SKU: 02728

### Benelec Mirror/Roof Antenna Bracket



Vertical

Horizontal

## SPECIFICATIONS

Description	Bar Bracket
Materials	Polished Stainless Steel
Size	16.5 mm hole, 5 mm gap Min Pole OD: 8 mm Max Pole OD: 30 mm
Dimensions	52mm(L) x 53mm(W) x 58.5mm(H)

## PACKAGING

Blister Pack / 1 bracket per pack

Box of 20 brackets, 240 x 240 x 250 mm, G.W.: 5.0 kg

## APPLICATIONS



Mobile Application



Base Station Application

Website: [benelec.au](http://benelec.au)