

DATASHEET

SKU: 02686

Benelec UHF Discone Base Antenna

200-520MHz



The 02686 Discone Antenna is a broad frequency antenna suited to applications across the frequency range 225-520 MHz. All radiation patterns have been tested and verified on an antenna test range. It has a stable radiation pattern across the 225-520 MHz band. Robust construction of both the central feed section and matching radials makes for a reliable and attractive antenna.

APPLICATIONS

Broad band Transmit and Receive applications requiring coverage of military frequency bands.

TUNING

Factory tuned; no further tuning required.

FEATURES

- Removable Radial.
- Transmit Capability.
- High Power Handling.
- Base Radial Support.
- 8 Tops & 8 Bottom Radial.
- Reliable
- Stainless Steel Construction

SPECIFICATIONS

Frequency range	225-520 MHz.
Tuned Bandwidth	295 MHz.
Gain	0dB.
VSWR	<1.7:1
Impedance	50 Ohms nominal
Power Rating	300w continuous
Polarisation	Vertical
Radiation	Omnidirectional
Cable	RG213
Termination	N Female RG213 Cable Tail
Mounting tube	42mm Dia x 700mm
Antenna Length	587 mm
Antenna Net Weight	3 kg

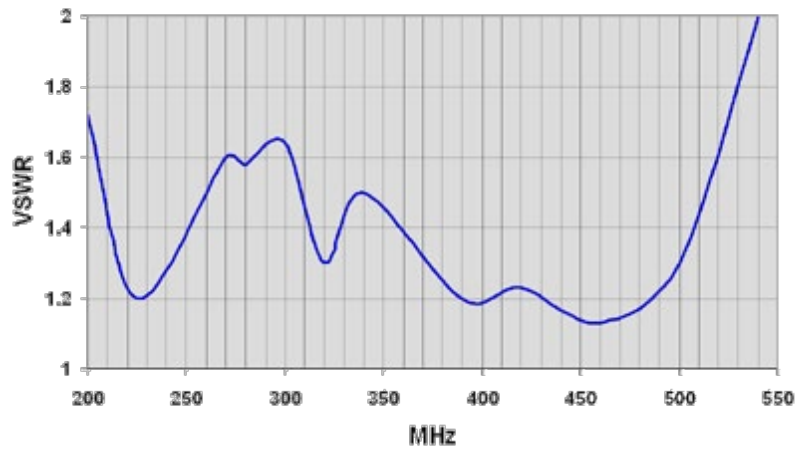
OPTIONAL MOUNTINGS

02815 Base Antenna Bracket Universal Heavy Duty 60mm

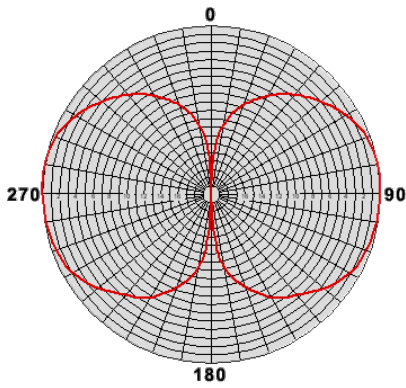
02814 Base Antenna Universal Heavy Duty 110mm

Website: benelec.au

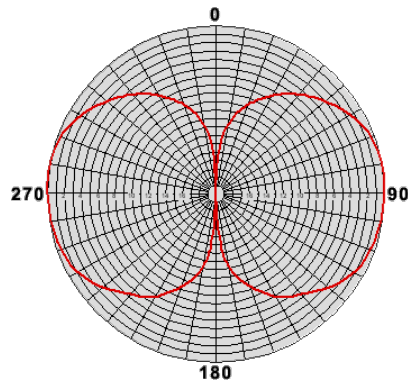
VSWR



RADIATION PATTERN



EPlane @225 MHz



EPlane @400 MHz

PACKAGING

700 x 150 x 70 mm Carton @ 3.2 kg

WARRANTY

12 months (Please refer to [Benelec Terms & Conditions](#))