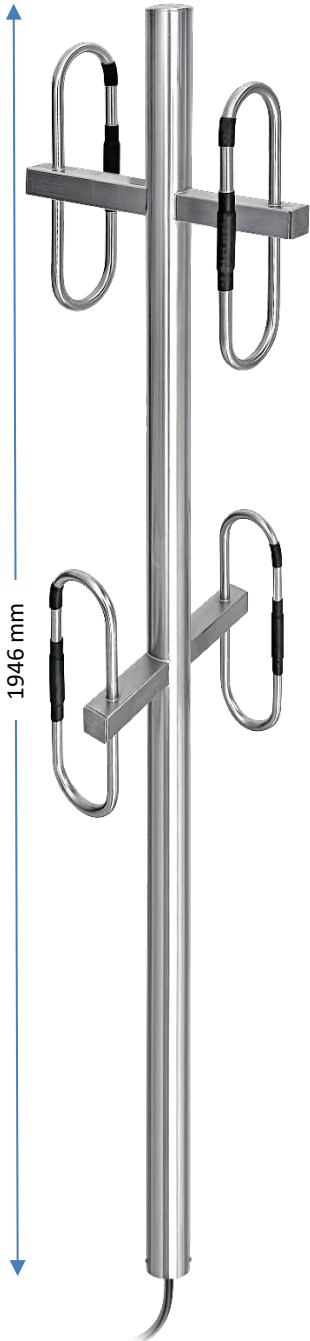


DATASHEET

Benelec UHF 3dBd Base Omni-Dipole Array Antenna

400 – 520 MHz



The 02681Z2 Antenna is an omni-directional single array which covers the band 400-520MHz. It is ideally suited to transmitter/receiver multi-coupling applications where wide bandwidths are required. It offers 3dBd of gain on the horizon with low level side lobes. The antenna is manufactured in Stainless Steel and has fully enclosed cabling.

APPLICATIONS

Base station applications – multicoupling.

TUNING

Factory tuned, no further tuning required.

FEATURES

- All stainless steel
- Full 400 – 520 MHz bandwidth
- All welded construction
- 3 dBd of gain
- Internal cabling

OPTIONAL MOUNTINGS

Please refer to our website for all Mountings.

PACKAGING

Cardboard box, 2200 x 320 x 320 mm
1 pc per, G.W.: 11 kg

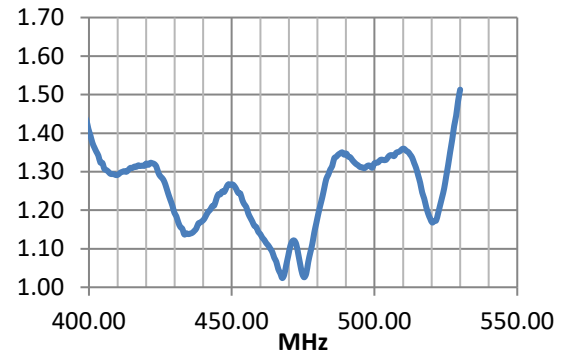
WARRANTY

3 Years (Please refer to Benelec Standard Warranty Terms and Conditions)

SPECIFICATIONS

Gain	3 dBd (5 dBi)
Operating Frequency	400 – 520 MHz
VSWR Bandwidth	Less than 1.5:1
Impedance	50 Ω Nominal
Polarisation	Vertical
Radiation	Omni Directional
Power Rating	500 watts
Cable	RG214 Cable Tail
Termination	N Female
Base Materials	Stainless Steel
Antenna Length	1946 mm
Antenna Width	270 mm
Wind Loading	160 kph 15.67 kg / 153.7 N
Projected Area	0.120904 sqm
Weight	8 kg

VSWR



RADIATION PATTERN

