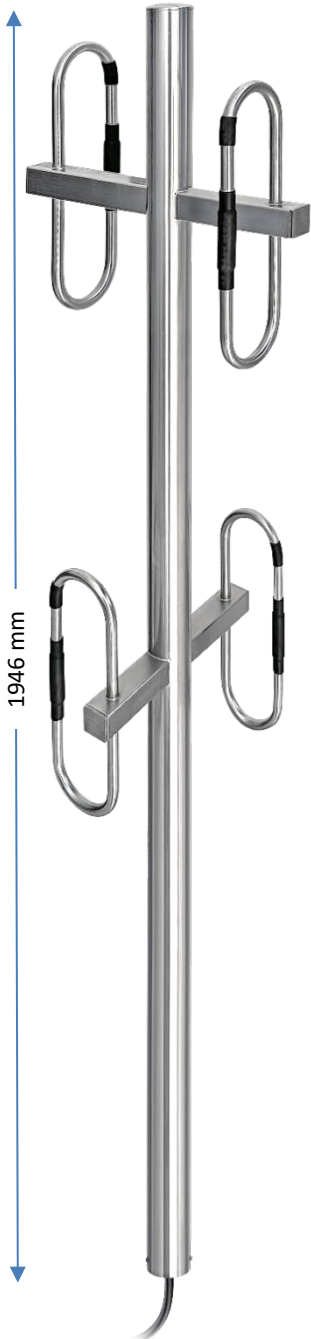


DATASHEET

SKU: 02681V2

Benelec UHF 3dBd Base Omni-Dipole Array Antenna

380 – 490 MHz



The 02681V2 Antenna is an omni-directional single array which covers the band 380-490MHz. It is ideally suited to transmitter/receiver multi-coupling applications where wide bandwidths are required. It offers 3dBd of gain on the horizon. The antenna is manufactured in Stainless Steel and has fully enclosed cabling.

APPLICATIONS

Base station applications – multicoupling.

TUNING

Factory tuned, no further tuning required.

FEATURES

- All stainless steel
- Full 380 – 490 MHz bandwidth
- All welded construction
- 3 dBd of gain
- Internal cabling

OPTIONAL MOUNTINGS

Please refer to our website for all Mountings.

PACKAGING

Individually packed in Cardboard Box

WARRANTY

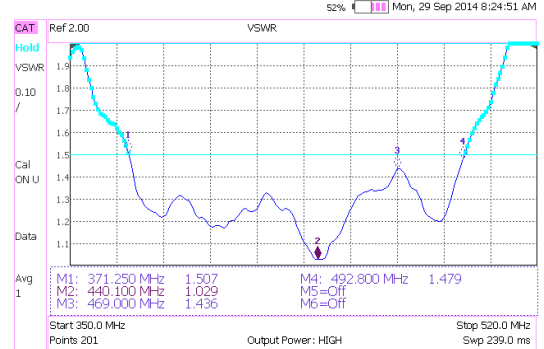
3 Years (Please refer to Benelec Standard Warranty Terms and Conditions)

SPECIFICATIONS

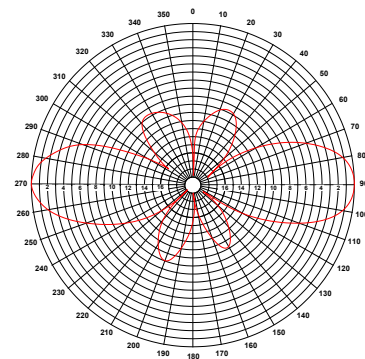
Gain	3 dBd (5 dBi)
Operating Frequency	380 – 490 MHz
VSWR Bandwidth	Less than 1.5:1
Impedance	50 Ω Nominal
Polarisation	Vertical
Radiation	Omni Directional
Power Rating	500 watts
Cable	RG213 Cable Tail
Termination	N Female
Base Materials	Stainless Steel
Antenna Length	1633 mm
Antenna Width	283 mm
Wind Loading	160 kph 13.88 kg / 136.144 N
Projected Area	0.108263 sqm
Weight	7.5 kg

VSWR

Agilent Technologies: N9912A, SN: US48310186



RADIATION PATTERN



E Plane

Website: benelec.au