

DATASHEET

360-520MHz UHF Side Mount Dipole Short Boom

The 02680AS side mount dipole is a rugged broadband dipole for use in the band 360-520MHz band. It is all Stainless Steel construction, suited to harsh environments.

The antenna can be mounted in three configurations to allow for different shaped radiation patterns in the H-plane.

APPLICATIONS

Wide Beamwidth, low gain, base station.

TUNING

No tuning required – factory tuned.

FEATURES

- All electropolished stainless steel
- Broad H Plane pattern
- Rugged construction
- Broad VSWR bandwidth
- Mounting markers $\frac{1}{4}$, $\frac{1}{2}$, 1 wave

SPECIFICATIONS

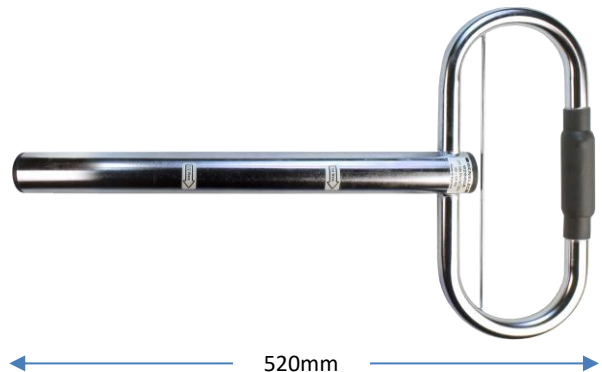
Gain	Unity (0dBd)
VSWR	<1.5:1
Impedance	50 Ohm Nominal
Power Rating	100watts
Polarisation	Vertical
E Plane	80 deg
H Plane	Directional – see radiation pattern
Cable	RG 213 cable tail
Termination	N Male connector
Base Materials	Stainless Steel
Wind Loading	0.02290 SQM 2.5kg (24.887N) @ 160kph
Net Weight	1.2kg
Ant+boom length	520mm

PACKAGING

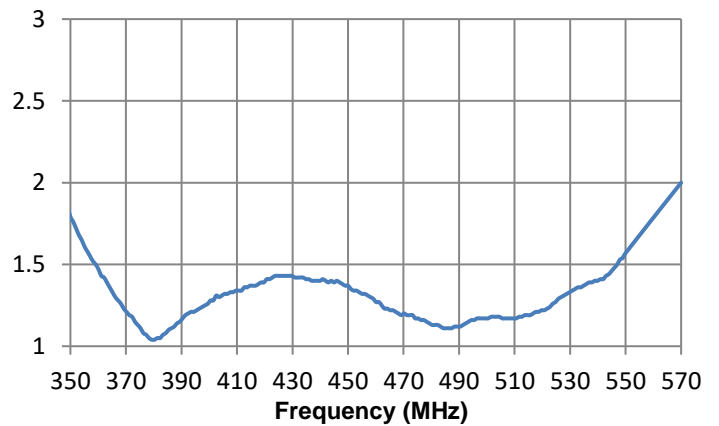
Cardboard box, 8 Antenna per box, 1520x350x200 mm, G.W. 16 kg

WARRANTY

3 years (Please refer to [Benelec Terms & Conditions](#))



VSWR



H Plane

