

## 02629 DATASHEET

### HEAVY DUTY GROUND DEPENDENT "ADVENTURER" ANTENNA UHF CB 477 MHz. 9dBi

The 02629 antenna is a 9dBi gain, UHF High Gain, Heavy Duty Mobile antenna covering the 477 MHz UHF Citizens Radio Band. This antenna is mechanically strong featuring a 5mm diameter tapered 17/7PH stainless steel radiator and heavy duty matching section primarily suited for on-road use. Although best suited to Bull Bar mounting, this antenna can also be used with a number of mounting accessories to cover the majority of mounting requirements. A heavy duty, high gain, phased three stage radiator, presents this antenna with a narrow vertical beamwidth and a gain higher than other antennas. A robust matching section ensures that this antenna offers ground plane independence as well as reliable mechanical stability. The antenna comes complete with a terminated cable fitted with an FME connector and SO-239 socket type base.

#### APPLICATIONS

Mobile coverage for the UHF Citizens Radio Band.

#### TUNING

Factory tuned; no further tuning required.

#### FEATURES

- 17/7 Hardened Stainless Steel Radiator
- 9dBi Gain
- 477 MHz Citizens Band
- Heavy Duty
- Ground Independent
- Copper Radiators
- Adaptor Enclosed
- Durable

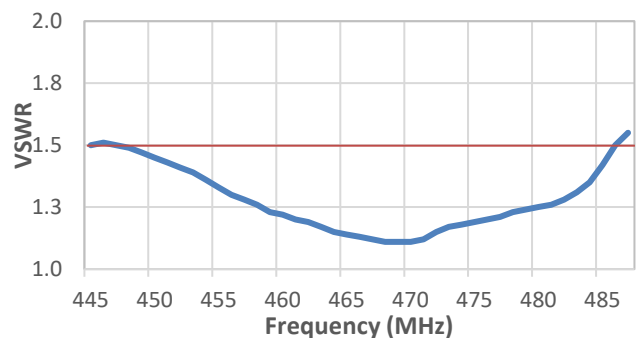
#### OPTIONAL MOUNTINGS

- [02728](#) Mirror Bracket
- [02730](#) Right Angle Stainless Steel Bull Bar Bracket
- [027303](#) Adjustable Tilt Lip Mount
- [02732](#) Extra Heavy Duty Polish Stainless Steel Bull Bar Bracket
- [02734](#) Stainless Steel "Z" Bracket
- [027313](#) (45mm), [027314](#) (50mm), [027315](#) (63mm),
- [027316](#) (76mm) WrapAround BB brackets

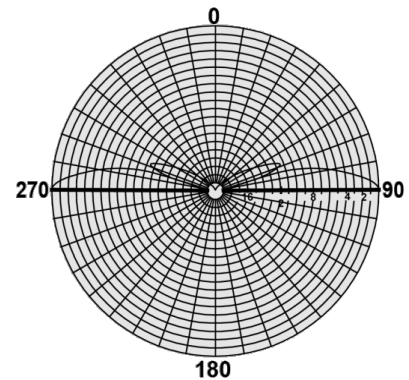
#### SPECIFICATIONS

Frequency	470 – 480 MHz, Tuned Bandwidth 10 MHz
Gain	9 dBi
Impedance	50 Ω (Nominal)
Operating VSWR	< 1.5:1
Radiation Pattern	Omni Directional
E Plane Beamwidth	12 Deg
Power Handling	Full legal Limit
Length	1300 mm
Weight	500 g
Termination	UHF Plug Adapter + Matching Socket & Cable
Construction	High Gain S/Steel Whip Top + Matching Section

#### VSWR PLOT



#### RADIATION PATTERN



#### WARRANTY

3 Years

#### PACKAGING

One Antenna per Blister Pack:  
1330x120x35mm – G.W. 1.0kg  
Ten Antennas per Carton:  
1400x205x235mm – G.W. 11.2kg

