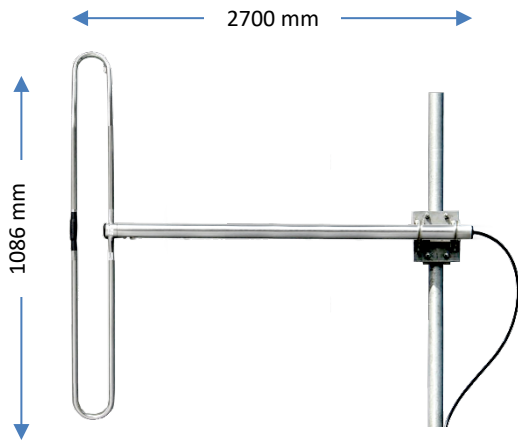


DATASHEET

SKU: 02533

Benelec VHF Air Band Base Folded Dipole Antenna

118-136MHz



The 02533 antenna is an all-Stainless Steel, folded dipole antenna for use in the VHF air band, radio band. Its wide bandwidth is ideal for Duplex and Multi-coupling applications. The 02533 antenna is intended for quarter-wave mounting off a vertical structure, which offers a stable directional, radiation pattern across the whole band 118-136 MHz with the use of the appropriate phasing harness, the 02533 antenna can be stacked in two or four stack configurations for increased gain requirements. Its robust construction ensures excellent longevity and performance. The all-Stainless-Steel construction is ideally suited for weather and corrosion resistance.

SPECIFICATIONS

Frequency	118 – 136 MHz
Gain	3 dBd / 5.14 dBi (side mounted off vertical mast)
Operating Bandwidth	Full band 118 – 136 MHz <1.5:1
Impedance	50 Ω Nominal
Polarisation	Vertical
Radiation	Directional (Side mounted)
Termination	N Female with RG213 cable tail
Base Materials	Stainless Steel
Antenna Length	2700 mm
Antenna Width	1086 mm
Power Rating	250 Watts
Windloading @ 160 KPH	21.3 Kg / 210 N
Net Weight	6.5 kg

APPLICATIONS

Wide band, Duplex/Multi-coupling, Base Station.

TUNING

Factory tuned; no further tuning required.

FEATURED

- All Stainless Steel
- Stainless Steel mounting boom
- Stainless Steel Folded Dipole
- RG213 Cable tail
- DC Grounded

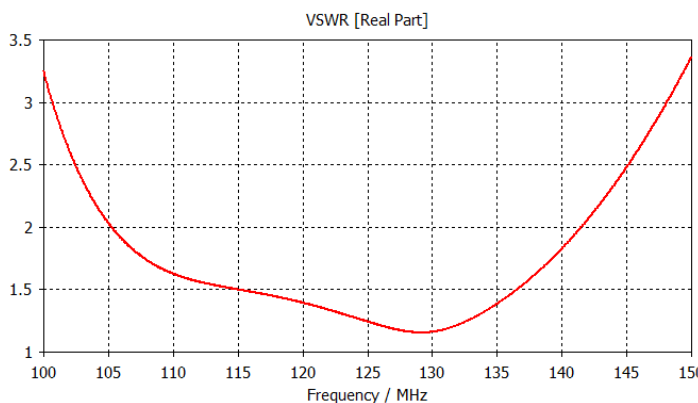
OPTIONAL MOUNTINGS

Please refer to our website for all Mountings.

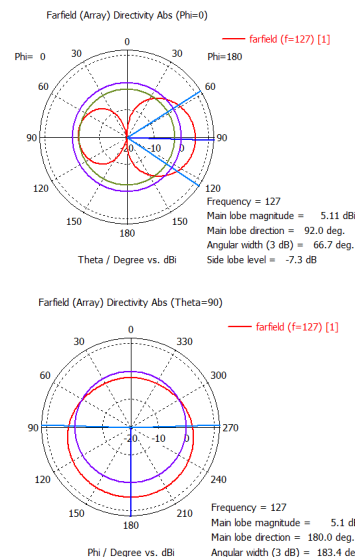
PACKAGING

Cardboard Box Size: 1200 x 395 x 90 mm, G.W.: 7 kg

VSWR



RADIATION PATTERNS



WARRANTY

3 years (Please refer to [Benelec Terms & Conditions](#))

Website: benelec.au