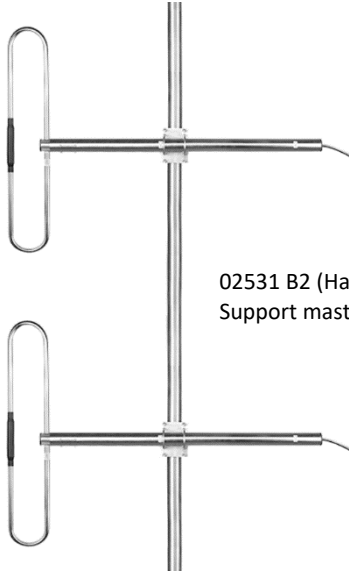


DATASHEET

SKU: 02531B2

Benelec VHF High Band Base 2 Bay Offset Dipole Array Antenna 136-174 MHz



02531 B2 (Harness not shown)
Support mast is customer supplied.

The 02531B2 antenna is an all Electropolished Stainless Steel, Folded Dipole antenna for use in the High Band VHF commercial radio band. Its wide bandwidth is ideal in Duplexing and Multicoupling applications where numerous operators are required to be connected to one antenna system. The 02531B2 antenna offers a stable radiation pattern across the whole band 136 -174 MHz. With the use of the appropriate phasing harness, the 02531B antenna can be stacked in two or four stack configurations for increased gain requirements. Its robust construction ensures excellent longevity and performance. The all Electropolished Stainless Steel construction is ideally suited for weather and corrosion resistance.

APPLICATIONS

Wide band VHF High Band
Duplexing / Multicoupling

TUNING

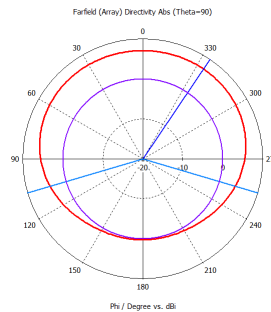
Factory Tuned, no further tuning required.

FEATURES

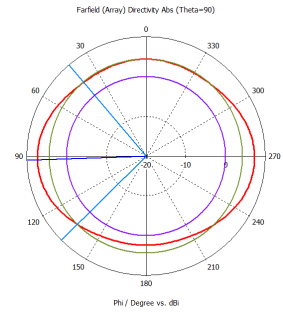
- Wide Band
- Hi Band VHF, Marine VF, Amateur 2M
- Gain * 4 – 5.5 dBd
- Stainless Steel Mounting Boom 50 mm Diameter
- Stainless Steel Folded Dipoles
- Robust welded construction
- Weather and corrosion resistance

* Dependent on spacing from boom

RADIATION PATTERNS



1/4 Wavelength



1/2 Wavelength

SPECIFICATIONS

Frequency	136 – 174 MHz
Tuned Bandwidth	38 MHz
Gain	* 4 – 5.5 dBd
Impedance	50 Ω Nominal
Operating VSWR	<1.5:1 (1.7:1 1 wave mount)
Length	1.30 m
Width	0.828 m
Weight	10 kg (22 lbs)
H Plane Beamwidth	Directional – see radiation patterns
E Plane Beamwidth	35 Deg (at 1/4 λ)
Termination	N Female
Cable Tail	RG214
Power Rating	500 W
Wind Loading / Rating	108 kg (238 lbs) (1055 N) with 0.5" ice @ 150mph 147 kg (324 lbs) (1427 N) with 0.5" ice @ 175mph

* Gain refers to a theoretical dipole

PROVIDED MOUNTINGS

The boom allows for mounting at 1 λ , 1/2 λ or 1/4 λ spacing from the support structure (see installation instructions)

02815 Small Bracket S/Steel.

CONSTRUCTION

All welded and Electropolished Stainless Steel

PACKAGING

Cardboard Carton 11 kg (24.25 lbs)

WARRANTY

3 Years (Please refer to [Benelec Terms & Conditions](#))

Website: benelec.au