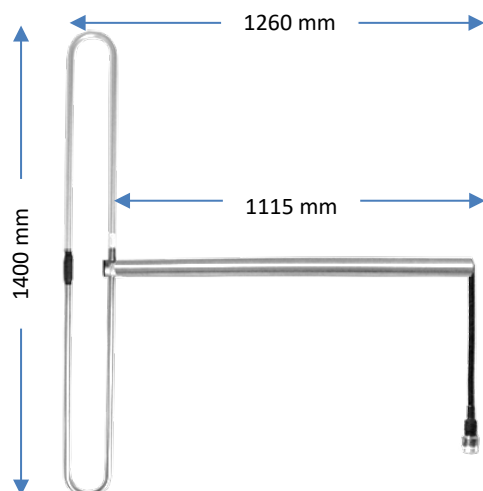


DATASHEET

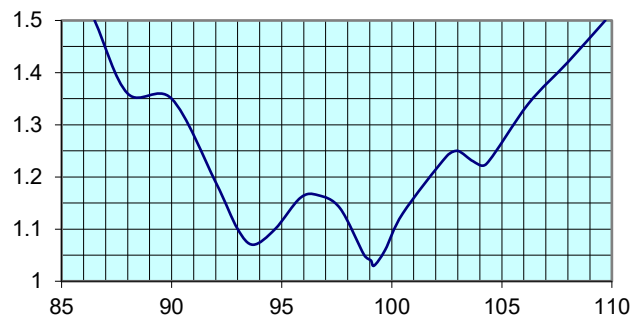
PART NO: **02530**

VHF FM SIDE MOUNT DIPOLE ANTENNA

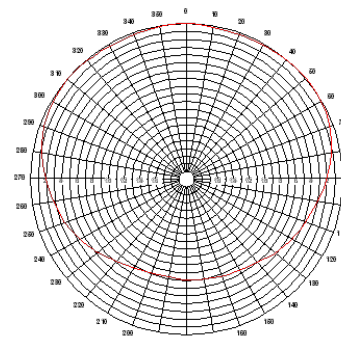
88 – 108 MHz



VSWR



RADIATION PATTERN



H Plane

The 02530 antenna is a unity Gain, Stainless Steel, Side Mount Dipole antenna for use in the FM commercial radio band. Its wide bandwidth is ideal applications where wide bandwidth is required. The 02530 antenna offers a stable radiation pattern across the whole band 88 – 108 MHz. With the use of the appropriate phasing harness, the 02530 can be stacked in two or four stack configurations for increased gain requirements. Its robust construction ensures excellent longevity and performance. The all Stainless Steel construction is ideally suited for weather and corrosion resistance.

APPLICATIONS

FM Commercial Radio Stations.

TUNING

Factory Tuned, no further tuning required.

FEATURES

- VHF 88 – 108 MHz Band
- Unity Gain
- Durable robust construction
- Stainless Steel Mounting Boom
- Stainless Steel Folded Dipole
- Extreme weather resistance

OPTIONAL MOUNTINGS

- 02814** Universal Bracket Heavy Duty
- 02812** Universal Bracket R/A Heavy Duty Galv

PACKAGING

Bubble wrapped, 1 pc per Shipping carton,
410 x 100, 1470 mm G.W.: 6.5 kg

SPECIFICATIONS

Frequency	88 – 108 MHz
Gain	0 dBd
Impedance	50 Ω
H Plane Beamwidth	200 Deg
E Plane Beamwidth	80 Deg
F/B Ratio	7 dB
Maximum Power	300 W
Tuned Bandwidth	20 MHz
Length	1260 mm
Boom Length	1115 mm
Width	1400 mm
Weight	N.W.: 5 kg Antenna & Mounting Tube
Termination	Cable tail with N-Type female receptacle
Construction	All Stainless Steel Construction

WARRANTY

3 years (Please refer to [Benelec Terms & Conditions](#))