

DATASHEET

SKU: 02515C

Benelec VHF High Band ½ Wave GPI Mobile Antenna M Base 148–174MHz

The 02515C antenna is a unity gain, VHF high band mobile antenna tuneable across the 148 – 174 MHz commercial radio band. The 02515C antenna offers a stable radiation pattern with negligible horizontal pattern tilt. Excellent decoupling from the coaxial feed system offers very good ground independence and a distortion free radiation pattern in all applications. This antenna can be used with a number of mounting accessories to cover the majority of mounting requirements. The M Base termination provides for re-use/transportable applications.

APPLICATIONS

- Mobile vertical mounted applications
- Radiation coverage for VHF mobile applications
- Low cost base station applications

TUNING

* Requires tuning to operational 5 MHz portion of band by customer possibly using SWR meter [0301](#), Antenna Analyser [03110](#), [03123](#) or other suitable instrument (Tuning cutting chart available).

FEATURES

- Removable, hardened tapered stainless steel radiator
- Group Plane Independent
- Unity gain (nominally 2.15 dBi)
- Suits VHF 148 – 174 MHz commercial radio band
- Reliable and durable
- Provided tuned to very low end of band

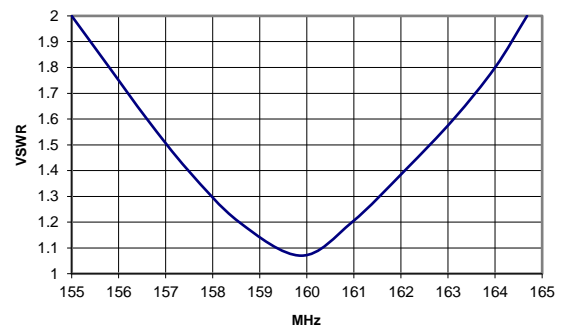
OPTIONAL MOUNTINGS

Any Mobile Mounting bracket that will accommodate a Standard base. Please refer to our website for all available mobile mounting bracket.

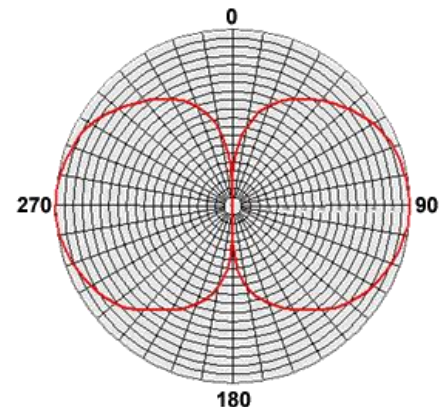
SPECIFICATIONS

Frequency	148 – 174 MHz
Gain	Unity Gain (nom 2.15 dBi)
Impedance	50 Ω (Nominal)
Operating VSWR	<1.5:1
RF Power Rating	30w
Radiation Pattern	Omni Directional
E Plane Beamwidth	80 Deg
Tuned Bandwidth	5 MHz *
Length	1.095 m (** at ~ 147 MHz)
Weight	200 g
Termination	UHF Male plug to M Base
Construction	Stainless Steel Radiator, Delrin

TUNED FOR 160 MHz – TYPICAL VSWR *



RADIATION – PATTERN E PLANE



PACKAGING

Poly Bag – 48 pcs/carton,
990 x 200 x 230 mm @ G.W.: 9.84 kg

WARRANTY

3 Years (Please refer to [Benelec Terms & Conditions](#))



1.35 m

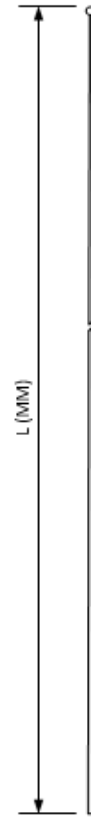
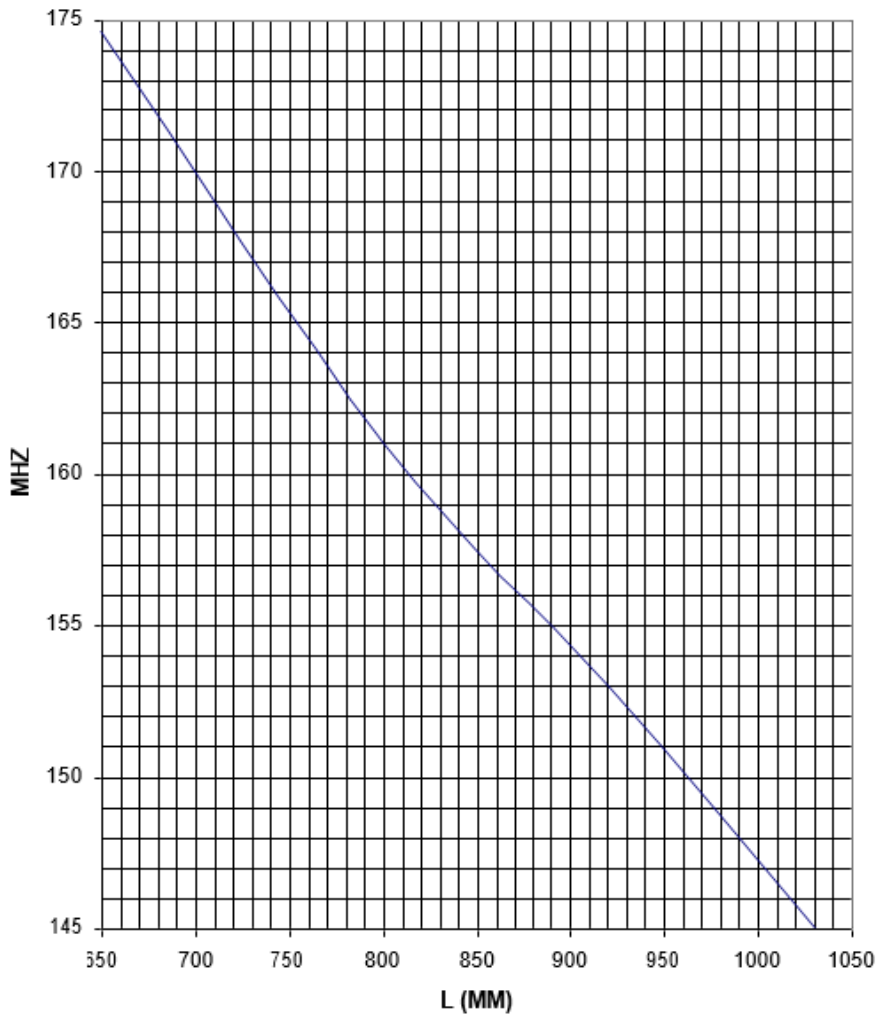


10109 Base & Lead
Supplied separately.

Website: benelec.au

ANTENNA TUNING INSTRUCTIONS

Benelec VHF High Band ½ Wave GPI Mobile Antenna M Base



Please Note - This tuning chart is to be used as a guide to the approximate length of the whip top only.

It is essential that the antenna be properly tested using a VSWR meter or similar device for measuring VSWR or reflected power after installation.

The proper way to cut the whip is using an angle grinder or a fine file to cut through approximately 30% of the diameter of the whip, then use a vice grip and a pair of pliers to break off the end.

Do not attempt to use side cutters or bolt cutters as they will get damaged.

Please use eye protection.

Website: benelec.au